

STRAINER TYP 962

CHARACTERISTIC:

Diameter	-	15 -125 mm;
Pressure	-	400 bar;
Temperature	-	up to 600°C;
Medium	-	water, steam and other non-toxic, non aggressive media and engine fuel, sea water.

VERSIONS:

type / ends / body material / others

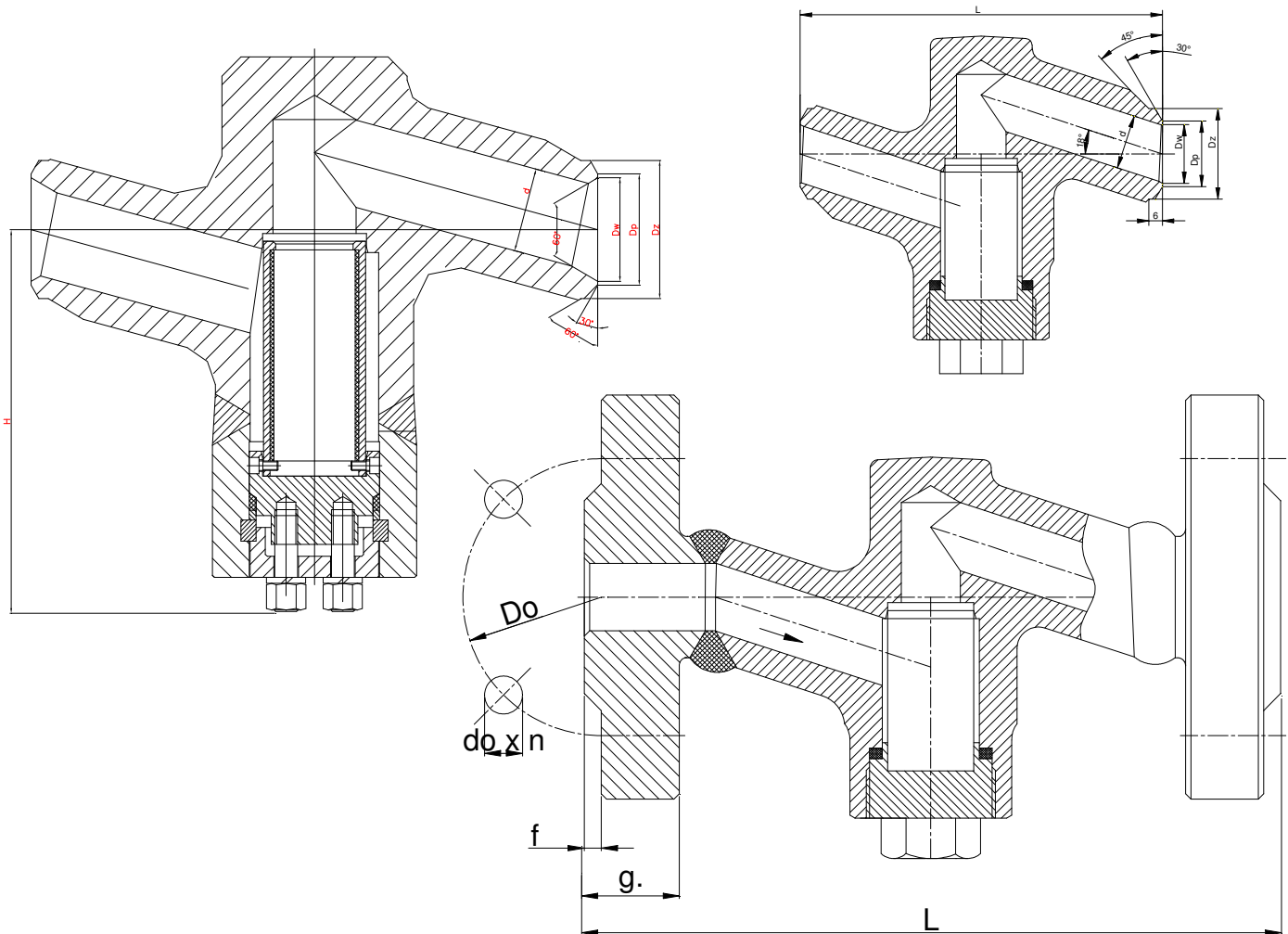
Example: 962 / --- / ---

Example: 962 / K / U

Ends		Body material	Sign	Others	Sign
Butt weld ends- standard	---	(P250GH) C 22.8	---	Standard – without drain plug	---
Flanged	K	16Mo3	U		
		13CrMo4-5	A		
		11CrMo9-10	B		
		14MoV6-3	C		

APPLICATION:

Strainers are used to protect the pipeline and its equipment from impurities. The strainer stop every mechanical impurities bigger then mesh size. The strainers can be made with drain plug for special order.



WK

® FABRYKA ARMATURY PRZEMYSŁOWEJ

WAKMET Sp. z o.o.

Bodzanów 75 48-340 GŁUCHOŁAZY
tel. +48 77 439-40-20, fax +48 77 439-18-72
wakmet@wakmet.com.pl www.wakmet.com.pl

MATERIALS:

Versions	Standard	U	A	B	C
Parts	T _{MAX} 450°C	T _{MAX} 530°C	T _{MAX} 560°C	T _{MAX} 600°C	T _{MAX} 570°C
Body , bonnet	(P250GH) C22.8 (1.0460)	16Mo3 (1.5415)	13CrMo4-5 (1.7335)	11CrMo9-10 (1.7383)	14MoV6-3 (1.7715)
Strainer	X6CrNiTi18 10 (1.4541)				
Gasket	Grafit + austenite				

Special materials on request; modifications reserved.

DIMENSIONS:

Standard-butt weld ends					
DN	d	Dz	Dw	L	Weight
15	14	28	17	160	3,80
20	20	35	21,5	160	3,80
25	24	44	29	160	3,80
32	32	50	33	300	14,00
40	38	62	40	300	14,00
50	48	77	49,5	300	14,00
65	62	91	62	340	24,50
80	76	117	81	380	52,50
100	92	144	102	430	68,00
125	112	172	126,5	500	88,00

Dimensions in mm; modifications reserved.

The height of strainers depend from precision of filter.

TECHNICAL DATA:

Body material	PN	Maximal working pressure at working temperature																
		20°C	100°C	150°C	200°C	250°C	300°C	350°C	400°C	450°C	480°C	500°C	520°C	530°C	540°C	560°C	570°C	600°C
(P250GH)C 22.8 (1.0460)	400	400,00	371,38	352,38	333,25	304,75	276,13	257,13	238,00	131,38	-	-	-	-	-	-	-	-
16Mo3 (1.5415)	400	400,00	400,00	400,00	400,00	390,38	342,75	323,75	304,75	295,13	224,38	177,13	112,38	89,50	-	-	-	-
13CrMo4-5 (1.7335)	400	400,00	400,00	400,00	400,00	400,00	398,00	380,88	361,88	342,75	293,63	260,88	179,00	148,50	116,13	76,13	62,70	-
14MoV6-3 (1.7715)	400	400,00	400,00	400,00	400,00	400,00	400,00	400,00	398,10	386,70	383,80	367,60	283,80	249,50	215,20	163,80	139,00	-
11CrMo9-10 (1.7383)	400	400,00	400,00	400,00	400,00	400,00	400,00	390,38	371,38	352,38	295,13	257,13	196,13	171,38	148,50	110,38	97,13	64,8

Mesh

- 100 meshes/cm²; basic mesh size 0,6 mm - standard
- 200 meshes/cm²; mesh size 0,35 mm;
- 400 meshes/cm²; mesh size 0,25 mm;
- 600 meshes/cm²; mesh size 0,1 mm.

MOUNTING AND OPERATING:

The valve can only be mounted and operated by skilled, properly trained and qualified personnel. Incorrect assembly or operation of the valve may have substantial impact on the entire system such as fluid leakage, reduction in system's function etc.

Before a strainer is installed the pipeline must be clean from any mechanical impurities. The compatibility of critical parameters of the flow must be checked with the parameters of the strainer. Strainer can be mounted to a pipe-line in horizontal position. The direction of the flow should only comply with the arrow marked on the body. The strainer should be cleaned every time a pipeline is stopped, after a repair and before heating season. In order to clean the strainer the bonnet must be taken off. The mesh can be washed with water under high pressure. Before the mesh is put in it must be dry. The strainer should be operated strictly with its assign.