

# GATE VALVE TYPE ZKP2

## CHARACTERISTIC:

Diameter	-	500-1500 mm;
Pressure	-	2,5 bar;
Temperature	-	up to 120°C;
Medium	-	water, steam and other non-toxic, non-aggressive media

## VERSIONS:

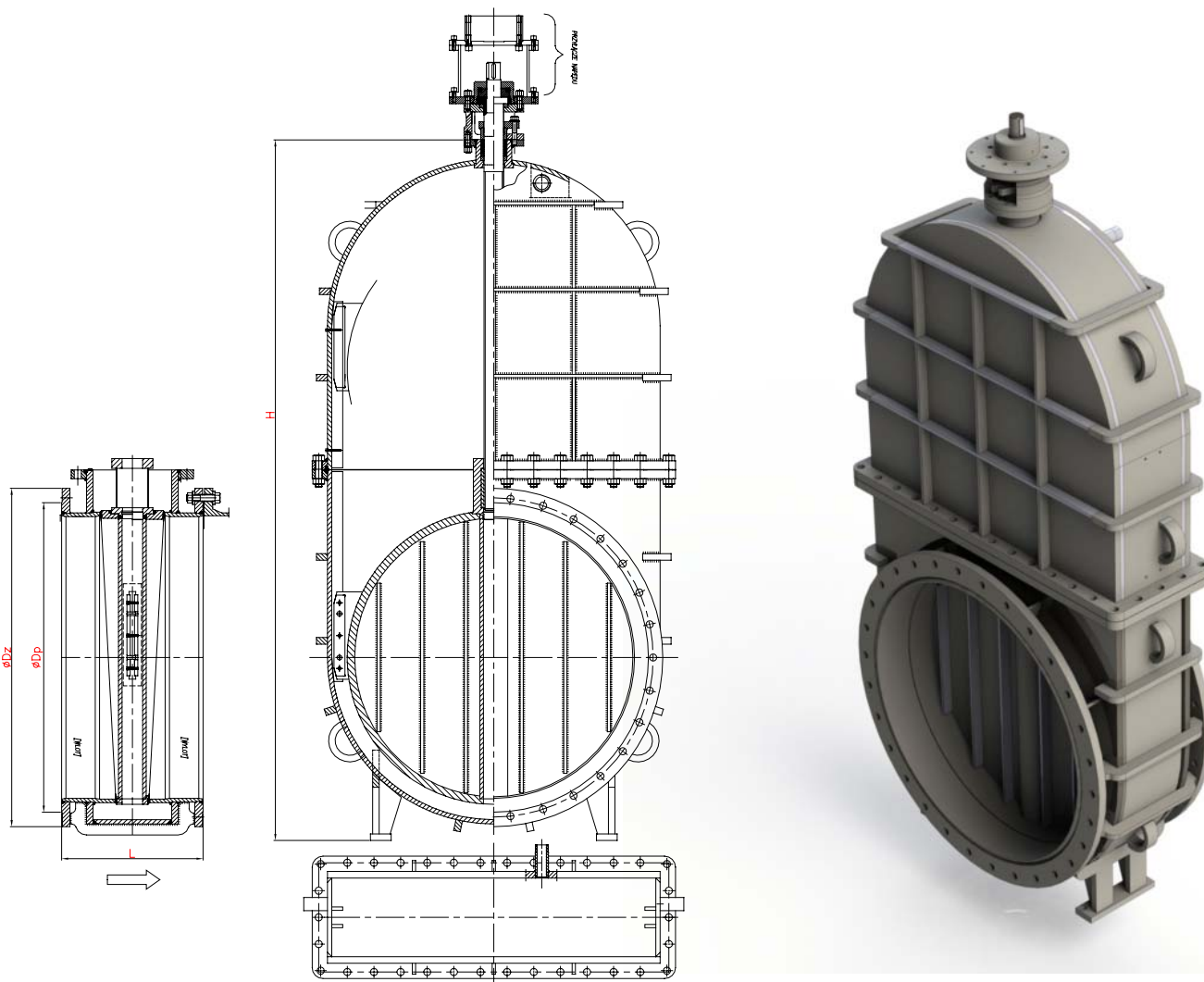
type / body material / drive type / others

Example: ZKP2 / --- / NA / ---

Body material	Sign	Drive type	Sign	Others	Sign
P265GH	---	Hand wheel	---	-----	---
		AUMA drive	NA		
		NWA drive	NW		
		MODACT drive	NM		

## APPLICATION:

Gate valve is designed to open and stop the flow. The gate valve can be mounted to a pipeline in any position. It should operate in a close or open position. The gate valve should not be used as a flow regulating device!



# WK®

**FABRYKA ARMATURY PRZEMYSŁOWEJ**

**„WAKMET”** spółka jawna

Kaczmarek, Krzywdziński, Wachowski, Wilczyński

**Bodzanów 75 48-340 GŁUCHOŁAZY 1**

tel.+48(077) 439-40-20, fax +48(077) 439-18-72

E-mail: wakmet@wakmet.com.pl

http: www.wakmet.com.pl

## MATERIALS:

Versions	Standard
Parts	T <sub>MAX</sub> 120°C
Body, bonnet, wedge	(P265GH) (1.0460)
Stem	X17CrNi16-2 (1.4057)
Seat ring	G 19 12 3 Lsi
Wedge ring	G18 8 Mn
Packing rings	SPETOFLON-TEX
Wheel	Steel

Special materials on request; modifications reserved.

## DIMENSIONS:

DN	Flanged								
	Dz	Dp	Do	do	n	L	g.	f	Weight
500	645	-	600	22	20	350	24	4	-
600	755	-	705	26	20	390	30	5	-
700	860	-	810	26	24	430	30	5	-
800	975	-	920	30	24	470	30	5	-
900	1075	-	1020	30	24	510	30	5	-
1000	1175	-	1120	30	28	550	30	5	-
1100*	-	-	-	-	-	-	-	-	-
1200	1375	-	1320	30	32	630	32	5	-
1300*	1548	1416	1460	33	30	648	38	3	-
1400	1575	-	1520	30	36	710	38	5	-
1500*	1800	1620	1670	33	36	900	58	3	-

\*made for special order

Dimensions in mm; other dimensions for special order; modifications reserved.

## TECHNICAL DATA:

Gate valves Type ZKP2 are designed for maximal pressure 2,5bar and maximal temperature 120°C.

## MOUNTING AND OPERATING:

*The gate can only be mounted and operated by skilled, properly trained and qualified personnel. Incorrect assembly or operation of the gate may have substantial impact on the entire system such as fluid leakage, reduction in system's function etc.*

Before a gate is installed the pipeline must be clean from any mechanical impurities. The compatibility of critical parameters of the flow must be checked with the parameters of the gate. Gate can be mounted to a pipe-line in any position. The direction of the flow should only comply with the arrow marked on the body. The valve should be operated strictly with its assign. In order to provide gate's reliability the following suggestions must be observed:

- medium flowing through the gate is supposed to be clean out of any mechanical impurities;
- the valve must be protected from any mechanical damages during its work;
- nominal parameters marked on the valve must be observed.