

TRI-ECCENTRIC BUTTERFLY VALVE TYPE WKM3M

CHARACTERISTIC:

Diameter	-	100-1200 mm;
Pressure	-	25 bar;
Temperature	-	up to 450°C;
Medium	-	water, steam and other non-toxic, non aggressive liquid and gas media and engine fuel, sea water.

VERSIONS:

type / ends / body material / drive type

Example: WK M3M / --- / --- / ---

Example: WK M3M / S / U / NA

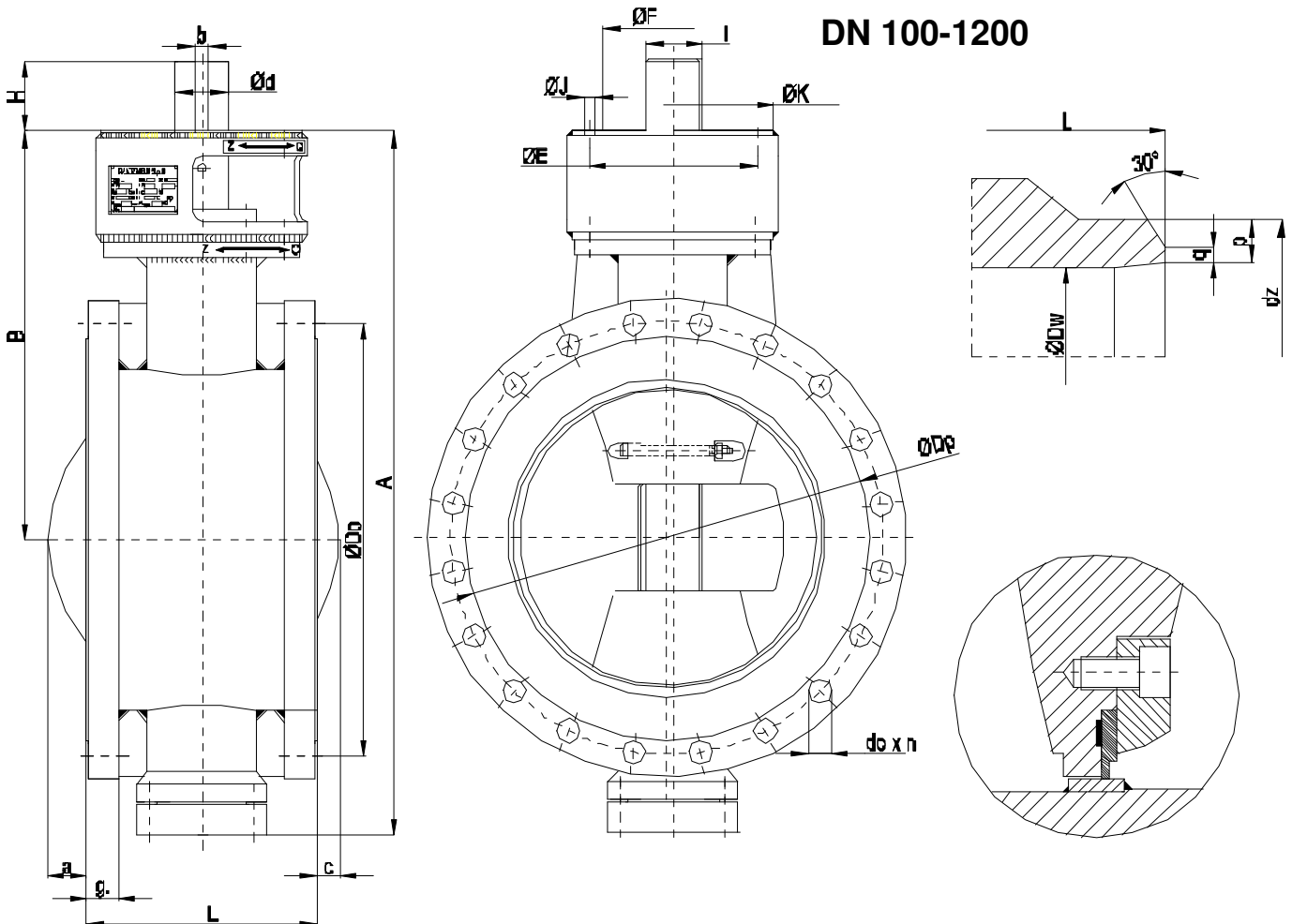
Ends	Sign
Flanged	---
Butt weld ends	S

Body material	Sign
P265GH	---
G17CrMo5-5	A

Drive type	Sign
Hand wheel	---
AUMA drive	NA
Intec drive	NA

APPLICATION:

Butterfly valves WK M3M are recommended to apply wherever high reliability and complete tightness of isolation are required, even in case of sudden temperature and pressure fluctuation. Butterfly valves WK M3M type, with metal to metal sealing are designed for low and high temperature service. They serve as a cut-off and control fittings.



WK



FABRYKA ARMATURY PRZEMYSŁOWEJ

WAKMET Sp. z o.o.

Bodzanów 75 48-340 GŁUCHOŁAZY
tel. +48 77 439-40-20, fax +48 77 439-18-72
wakmet@wakmet.com.pl www.wakmet.com.pl

MATERIALS:

Versions	Standard	A
Parts	T _{MAX} 450°C	T _{MAX} 450°C
Body	P265GH (1.0425)	G17CrMo5-5 (1.7357)
Body seat	X6CrNiTi18-10 (1.4948)	
Gasket	X5CrNi18-10 (1.4301)	
Disc	P265GH (1.0425)	G17CrMo5-5 (1.7357)
Driving shaft	X20CrNi16-2	
Packing	Graphit	

DIMENSIONS:

Ø nom [mm]	Pres sure	Main dimensions										Flanged			Drive connection						Maks. torque [Nm]	Kvs [m ³ /h]	Butt weld ends		
		DN	PN	DW	A	B	L	H	d	b	t	a	c	øDo	ødo x n	g	ISO	øK	øE	øF			øJ x i	[kg]	dz
100	25	92	405	230	127	45	20	6	23	0	0	190	22x8	24	F07	108	70	56	9x4	41	250	200	114	3,6	1
125	25	115	455	270	140	45	22	6	25	0	0	220	26x8	26	F10	125	102	70	11x4	44	350	350	140	4	1
150	25	140	477	295	210	55	26	8	29	0	0	250	26x8	28	F10	125	102	70	11x4	48	500	580	168	4,5	1
200	25	200	562	345	230	55	36	10	39	0	0	310	26x12	30	F12	150	125	85	14x4	66	700	1050	219	6,3	1
250	25	240	657	410	250	65	40	12	43	0	0	370	30x12	32	F14	175	140	100	18x4	114	1000	1700	273	7,1	1
300	25	290	725	445	270	80	45	14	49	20	5	430	30x16	34	F14	175	140	100	18x4	145	1600	2800	324	8	1
350	25	322	805	480	290	80	55	16	59	25	10	490	33x16	38	F16	210	140	130	22x4	207	2500	4300	356	8	1
400	25	378	846	500	310	110	60	18	64	45	30	550	36x16	40	F16	210	165	130	22x4	270	4000	5900	406	8,8	1
450	25	424	991	600	330	110	70	20	75	55	40	600	36x20	42	F25	300	165	200	18x8	409	5500	7600	457	10	2
500	25	480	1070	620	350	110	80	22	85	75	55	660	39x20	48	F25	300	254	200	18x8	517	7000	9800	508	10	2
600	25	584	1195	695	390	140	90	25	95	105	85	770	42x24	50	F30	350	254	230	22x8	616	10000	14400	610	11	2
700	25	675	1362	815	430	140	98	28	104	135	110	875	48x24	50	F30	350	298	230	22x8	900	15000	18900	711	13	2
800	25	775	1520	895	470	180	112	32	119	170	140	990	48x28	54	F35	415	356	260	33x8	1250	20000	25700	813	14	2
900	25	870	1700	1030	510	180	125	32	132	220	165	1090	56x28	58	F35	415	356	260	33x8	1700	28000	32400	914	16	2
1000	25	979	1850	1100	550	200	140	36	148	235	195	1210	56x32	62	F40	475	406	300	39x8	2400	36000	43100	1016	18	2
1200	25	1160	2150	1300	630	200	160	40	169	290	250	1420	56x32	70	F40	475	406	300	39x8	3550	50000	64200	1219	20	2

TECHNICAL DATA:

Body materials	PN	Maximal working pressure at working temperature															
		20°C	100°C	150°C	200°C	250°C	300°C	350°C	400°C	450°C	480°C	500°C	510°C	520°C	530°C	540°C	550°C
P265GH (1.0425)	25	25	25	25	23	25	23,7	22,2	21,2	19,6	-	-	-	-	-	-	-
G17CrMo5-5 (1.7357)	25	25	25	22,8	20,6	19,6	16,2	14,2	12,3	6,8	-	-	-	-	-	-	-

FEATURES:

Tri-eccentric butterfly valves of WK M3M type, with metal seal ring are the latest generation of high standard long life valves of high reliability. Due to special design of the valve, the following advantages are obtained.

- full tightness for bi-directional flow,
- reliable isolation and flow control,
- wide range of operating temperature,
- lack of friction between the seal ring and seat,
- long-life of seal ring,
- self-centring seal ring,
- even compression of seal ring in the seat,
- seal ring renewal without dismantling the disc,
- there is no disc jamming in closed position, even in case of sudden temperature change,
- nearly linear characteristic of flow
- minimum flow resistance due to streamlined disc shape,
- wide range of application – for various media,
- simple assembling of different types of actuators and easy automatic control,
- operation in horizontal and vertical pipelines