

# GATE VALVE TYPE GSA160 ; GKA160

## CHARACTERISTIC:

Diameter	-	50 -350 mm;
Pressure	-	160 bar;
Temperature	-	up to 250°C for acids, bases and other aggressive media;
	-	up to 550°C for non-toxic media;
Medium	-	acids, liquors, water, steam and other non-toxic and non aggressive media, engine fuel and sea water

## VERSIONS:

type body material / drive type / others

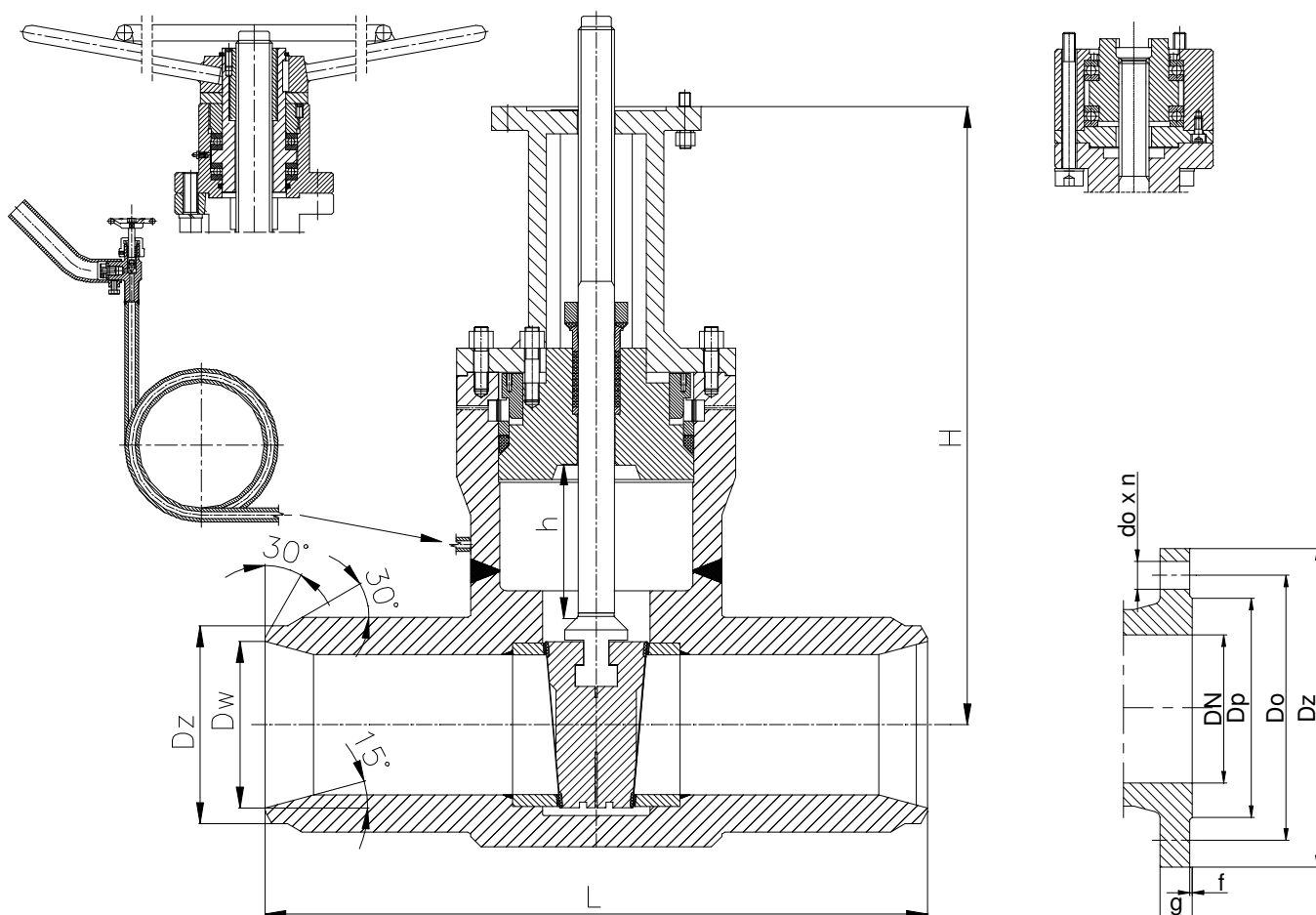
Example: GKA160 / --- / --- / ---

Example: GKB160 / NA / ---

Type Body material	Sign	Drive type	Sign	Others	Sign
X6CrNiTi18-10 (1.4541)	<b>GKA</b>	Hand wheel	---	-----	---
X5CrNi18-10 (1.4301)	<b>GKA</b>	AUMA drive	<b>NA</b>		
X2CrNiMo17-12-2 (1.4404)	<b>GKB</b>	NWA drive	<b>NW</b>		
		MODACT drive	<b>NM</b>		
X6CrNiMoTi17-12-2 (1.4571)	<b>GKB</b>	Pneumatic drive	<b>NP</b>		

## APPLICATION:

Gate valve is designed to open and stop the flow. The gate valve can be mounted to a pipeline in any position. It should operate in a close or open position.



**® FABRYKA ARMATURY PRZEMYSŁOWEJ**

**WAKMET Sp. z o.o.**

**Bodzanów 75 48-340 GŁUCHOŁAZY**  
 tel.+48 77 439-40-20, fax +48 77 439-18-72  
[wakmet@wakmet.com.pl](mailto:wakmet@wakmet.com.pl) [www.wakmet.com.pl](http://www.wakmet.com.pl)

## MATERIALS:

Versions Parts	GSA/GKA160	GSB/GKB160
Body, bonnet	X6CrNiTi18-10 (1.4541)	X2CrNiMo17-12-2 (1.4404)
Wedge	X6CrNiTi18-10 (1.4541)	X2CrNiMo17-12-2 (1.4404)
Stem	X6CrNiTi18-10 (1.4541)	X2CrNiMo17-12-2 (1.4404)
Packing rings	PTFE , Grafit	
Wheel	Steel	

Special materials on request; modifications reserved.

## DIMENSIONS:

DN	Dz	Dw	L	H	h	Dk	Weight	"GK"								
								Dz	Dp	Do	do	n	L	g.	f	Weight
50	62	52,5	300	490	61	400	37,80	195	102	145	30	4	300	30	3	51,80
65	77	65	360	534	77	400	58,50	220	122	170	26	8	360	34	3	78,50
80	91	76,5	390	613	92	500	103,50	230	138	180	26	8	390	36	3	127,50
100	117	98,5	450	690	115	700	144,00	265	162	210	30	8	450	40	3	179,00
125	144	120,5	525	760	140	700	207,00	315	188	250	33	8	525	44	3	261,10
150	172	144,5	600	970	160	850	244,80	355	218	290	33	12	600	50	3	355,80
175	by customers acceptance							by customers acceptance								
200	223	189	750	1240	225	1100	566,10	430	285	360	36	12	750	60	3	703,10
250	278	242,5	900	1450	270	1100	930,60	515	345	430	42	12	900	68	3	1152,6
300	329	285,5	1050	1300*	335	-	1522,80	585	410	500	42	16	1050	78	4	1852,80
350	by customers acceptance							by customers acceptance								
400	by customers acceptance							by customers acceptance								
450	by customers acceptance							by customers acceptance								
500	by customers acceptance							by customers acceptance								

Dimensions in mm; modifications reserved.

## TECHNICAL DATA:

Body material	Medium	PN	Maximal working pressure at working temperature															
			20°C	100°C	150°C	200°C	250°C	300°C	350°C	400°C	450°C	480°C	500°C	510°C	520°C	530°C	540°C	550°C
			bar															
X6CrNiTi18-10 (1.4541)	aggressive media	160	160,0	158,4	149,3	141,7	134,8	-	-	-	-	-	-	-	-	-	-	
X2CrNiMo17-12-2 (1.4404)		160	160,0	151,6	137,9	127,2	119,6	-	-	-	-	-	-	-	-	-	-	
X6CrNiTi18-10 (1.4541)	non aggressive media	160	160,0	158,4	149,3	141,7	134,8	127,2	122,6	118,8	116,1	114,8	113,5	112,0	111,2	110,0	108,8	108,1
X2CrNiMo17-12-2 (1.4404)		160	160,0	151,6	137,9	127,2	119,6	110,4	105,9	102,8	100,1	99,0	97,5	97,5	97,5	97,1	97,1	97,1
X5CrNi18-10 (1.4301)	non aggressive media	160	160,0	160,0	160,0	149,5	138,1	128,6	122,9	119,1	116,7	113,9	114,3	105,4	96,6	87,7	78,9	70,1
X6CrNiMoTi17-12-2 (1.4571)		160	160,0	160,0	156,2	148,6	146,6	142,9	142,9	142,9	139,8	138,5	137,1	136,6	136,0	135,4	134,8	134,4

## MOUNTING AND OPERATING:

*The gate can only be mounted and operated by skilled, properly trained and qualified personnel. Incorrect assembly or operation of the gate may have substantial impact on the entire system such as fluid leakage, reduction in system's function etc.*

Before a gate is installed the pipeline must be clean from any mechanical impurities. The compatibility of critical parameters of the flow must be checked with the parameters of the gate. Gate can be mounted to a pipe-line in any position. The direction of the flow should only comply with the arrow marked on the body. The valve should be operated strictly with its assign. In order to provide gate's reliability the following suggestions must be observed:

- medium flowing through the gate is supposed to be clean out of any mechanical impurities;
- the valve must be protected from any mechanical damages during its work;
- nominal parameters marked on the valve must be observed.