

STOP GLOBE VALVE TYPE 677

CHARACTERISTIC:

Diameter	-	6 - 10 mm;
Pressure	-	420 bar;
Temperature	-	up to 560°C;
Medium	-	water, steam and other non-toxic and non aggressive media.

VERSIONS:

type / ends / body material / disc and disc ring / others

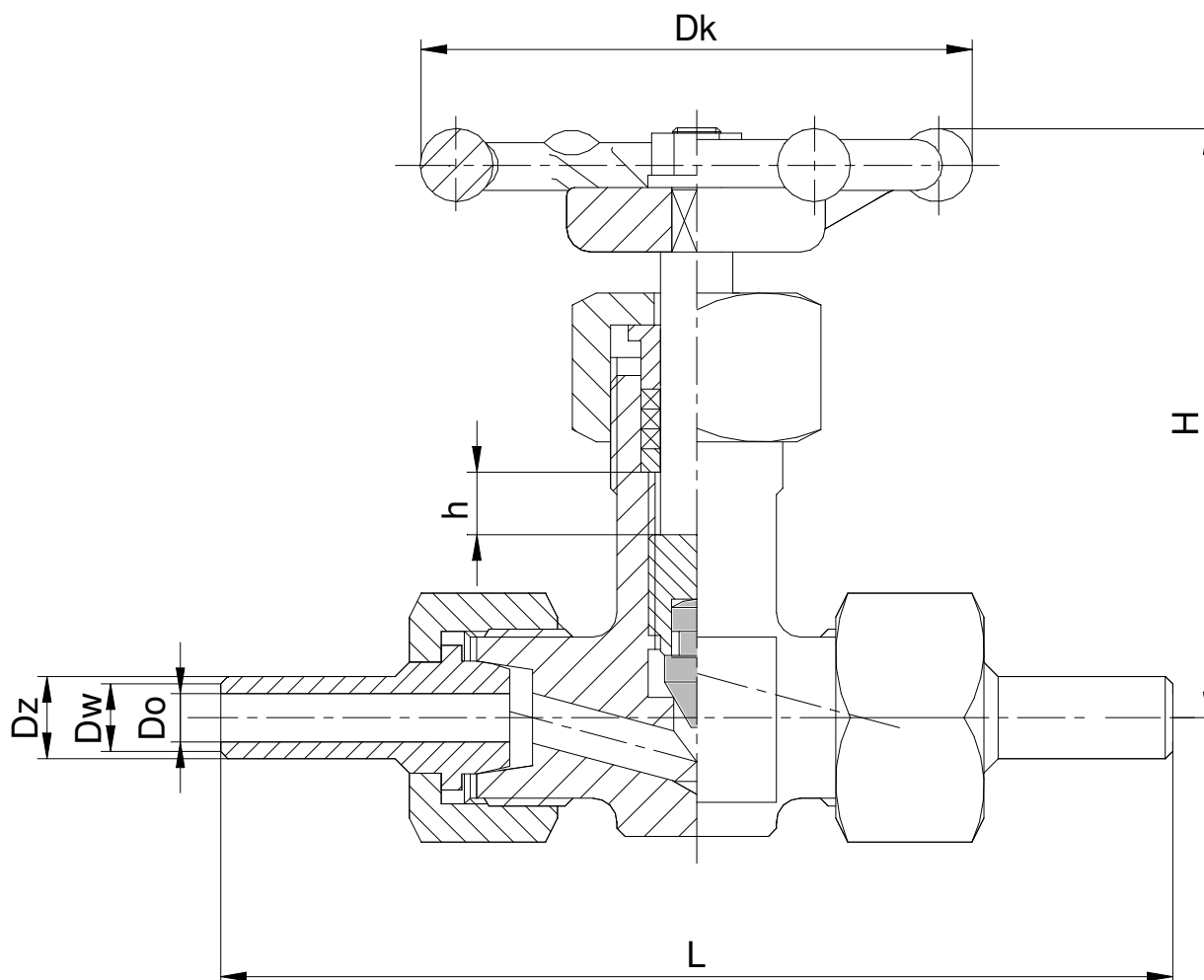
Example: 677 / --- / --- / --- / ---

Example: 677 / --- / A / T / ---

Ends	Sign	Body material	Sign	Disc and disc ring	Sign	Others	Sign
Standard	---	(P250GH) C 22.8	---	Standard - X30Cr13	---	-----	---
		13CrMo4-5	A	Tytanic BT-9	T		

APPLICATION:

Stop globe valve is designed to open and stop the flow. The valve is not supposed to be used as a regulating device.



FABRYKA ARMATURY PRZEMYSŁOWEJ

WAKMET Sp. z o.o.

Bodzanów 75 48-340 GŁUCHOŁAZY

tel.+48 77 439-40-20, fax +48 77 439-18-72

wakmet@wakmet.com.pl

www.wakmet.com.pl

MATERIALS:

Versions	Standard	A
Parts	T _{MAX} 450°C	T _{MAX} 560°C
Body , bonnet	(P250GH) C22.8 (1.0460)	13CrMo4-5 (1.7335)
Seat ring	G 18 8 Mn (1.4370)	
Disc	X30Cr13 (1.4028) , BT-9 ,	
Stem	X20Cr13 (1.4021)	
Packing rings	Grafit	
Wheel	Cast iron	

Special materials on request; modifications reserved.

DIMENSIONS:

DN	Do	Dw	Dz	L	H	h	Dk	Weight
6	6	8,4	10,2	120	75	5	60	0,70
8	8	10,4	12,0	120	75	5	60	0,70
10	9,6	12,0	13,7	120	75	5	60	0,70

Dimensions in mm; modifications reserved.

TECHNICAL DATA:

Body material	PN	Maximal working pressure at working temperature																
		20°C	100°C	150°C	200°C	250°C	300°C	350°C	400°C	450°C	480°C	500°C	520°C	530°C	540°C	550°C	560°C	570°C
		bar																
(P250GH)C 22.8 (1.0460)	420	420,0	389,9	370,0	349,9	320,0	289,9	270,0	249,9	137,9	-	-	-	-	-	-	-	-
13CrMo4-5 (1.7335)	420	420,0	420,0	420,0	420,0	420,0	417,9	399,9	380,0	359,9	308,3	273,9	188,0	155,9	121,9	100,9	79,9	65,8

MOUNTING AND OPERATING:

The valve can only be mounted and operated by skilled, properly trained and qualified personnel. Incorrect assembly or operation of the valve may have substantial impact on the entire system such as fluid leakage, reduction in system's function etc.

Before a valve is installed the pipeline must be clean from any mechanical impurities. The compatibility of critical parameters of the flow must be checked with the parameters of the valve. Stop globe valve can be mounted to a pipe-line in any position. The direction of flow should only comply with the arrow marked on the body. The valve should be operated strictly with its assign. In order to provide valve's reliability the following suggestions must be observed:

- medium flowing through the valve is supposed to be clean out of any mechanical impurities;
- the valve must be protected from any mechanical damages during its work;
- nominal parameters marked on the valve must be observed.