

SWING CHECK VALVE ACID-PROOF TYPE KKA63 ; KKB63

CHARACTERISTIC:

Diameter	-	50 -500 mm;
Pressure	-	63 bar;
Temperature	-	up to 600°C;
Medium	-	water, steam and other non-toxic, non aggressive media.

VERSIONS:

type / body material / others

Example: KKA63 /--- / ---

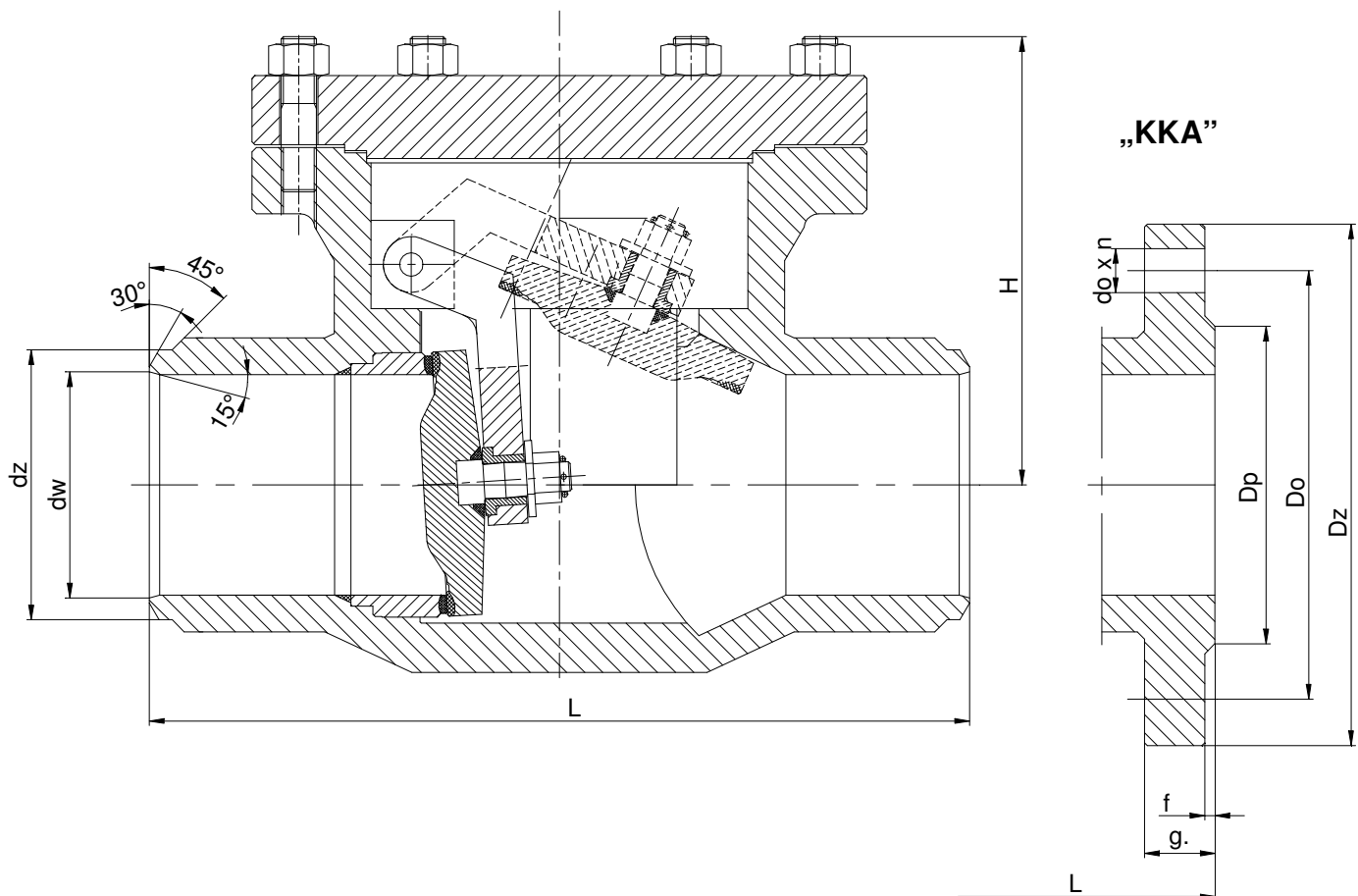
Example: KKB63 /--- / ---

Body material	Sign
X6CrNiTi18-10	KKA
X2CrNiMo17-12-2	KKB

Others	Sign

APPLICATIONS:

The swing check valves are designed to keep pipeline safe from returning the medium. Swing check valve can be mounted to a pipe-line in horizontal position. The direction of flow should only comply with the arrow marked on the body.



FABRYKA ARMATURY PRZEMYSŁOWEJ

WAKMET Sp. z o.o.

Bodzanów 75 48-340 GŁUCHOŁAZY
tel.+48 77 439-40-20, fax +48 77 439-18-72

wakmet@wakmet.com.pl

www.wakmet.com.pl

MATERIALS:

Versions	KKA63	KKB63
Parts		
Body, Bonnet	X6CrNiTi18-10 (1.4541)	X2CrNiMo17-12-2 (1.4404)
Disc	X6CrNiTi18-10 (1.4541)	X2CrNiMo17-12-2 (1.4404)
Seat ring	X6CrNiTi18-10 (1.4541)	X2CrNiMo17-12-2 (1.4404)
Gasket	PTFE , Grafit + stal austenityczna	
Wheel	-	

Special materials on request; modifications reserved.

DIMENSIONS:

DN	dz	dw	L	H	Weight	„KK”								
						Dz	Dp	Do	do	n	L	g.	f	Weight
50	62	54	250	170	12,00	180	102	135	22	4	300	26	3	18,00
65	77	69	290	190	17,00	205	122	160	22	8	340	26	3	25,00
80	91	81	310	205	22,00	215	138	170	22	8	380	28	3	32,00
100	117	104	350	220	33,00	250	162	200	26	8	430	30	3	45,00
125	144	130,5	400	254	50,00	295	188	240	30	8	500	34	3	68,00
150	172	156,5	450	305	80,00	345	218	280	33	8	550	36	3	100,00
200	223	204,5	550	406	105,00	415	285	345	36	12	650	42	3	153,00
250	278	255	650	508	200,00	470	345	400	36	12	775	46	3	248,00
300	329	301	750	690	-	530	410	460	36	16	900	52	4	-
350	362	320	850	740	-	600	465	525	39	16	1025	56	4	-
400	413	377	1050	890	-	670	535	585	42	16	1150	60	4	-
450	457	430,5	1350	965	-	-	-	-	-	-	1250	-	-	-
500	516	474,5	1550	1050	-	800	615	705	48	20	1400	-	4	-

Dimensions in mm; modifications reserved.

TECHNICAL DATA:

Body material	Medium	PN	Maximal working pressure at working temperature															
			20°C	100°C	150°C	200°C	250°C	300°C	350°C	400°C	450°C	480°C	500°C	510°C	520°C	530°C	540°C	550°C
X6CrNiTi18-10 (1.4541)	aggressive media	63	63,0	62,4	58,8	55,8	53,1											
X2CrNiMo17-12-2 (1.4404)		63	63,0	63,0	61,5	58,5	57,7											
X6CrNiTi18-10 (1.4541)	non aggressive media	63	63,0	62,4	58,8	55,8	53,1	50,1	48,3	46,8	45,8	45,1	44,7	44,6	44,4	44,3	44,2	42,6
X2CrNiMo17-12-2 (1.4404)		63	63,0	63,0	61,5	58,5	57,7	54,4	52,1	50,6	49,6	48,5	48,0	47,9	47,8	47,7	47,7	47,6

MOUNTING AND OPERATING:

The valve can only be mounted and operated by skilled, properly trained and qualified personnel. Incorrect assembly or operation of the valve may have substantial impact on the entire system such as fluid leakage, reduction in system's function etc.

Before a swing check valve is installed the pipeline must be clean from any mechanical impurities. The compatibility of critical parameters of flow must be checked with the parameters of valve. Swing check valve can be mounted to a pipe-line in horizontal position. The direction of the flow should only comply with the arrow marked on the body. The valve should be operated strictly with its assign. In order to provide valve's reliability the following suggestions must be observed:

- medium flowing through the valve is supposed to be clean out of any mechanical impurities;
- the valve must be protected from any mechanical damages during its work;
- nominal parameters marked on the valve must be observed.