

# SWING CHECK VALVE TYPE KZS40

## CHARACTERISTIC:

Diameter	-	100 mm;
Pressure	-	40 bar;
Temperature	-	up to 600°C;
Medium	-	water, steam and other non-toxic, non aggressive media.

## VERSIONS:

type / body material / others

Example: KZS40 / --- / ---

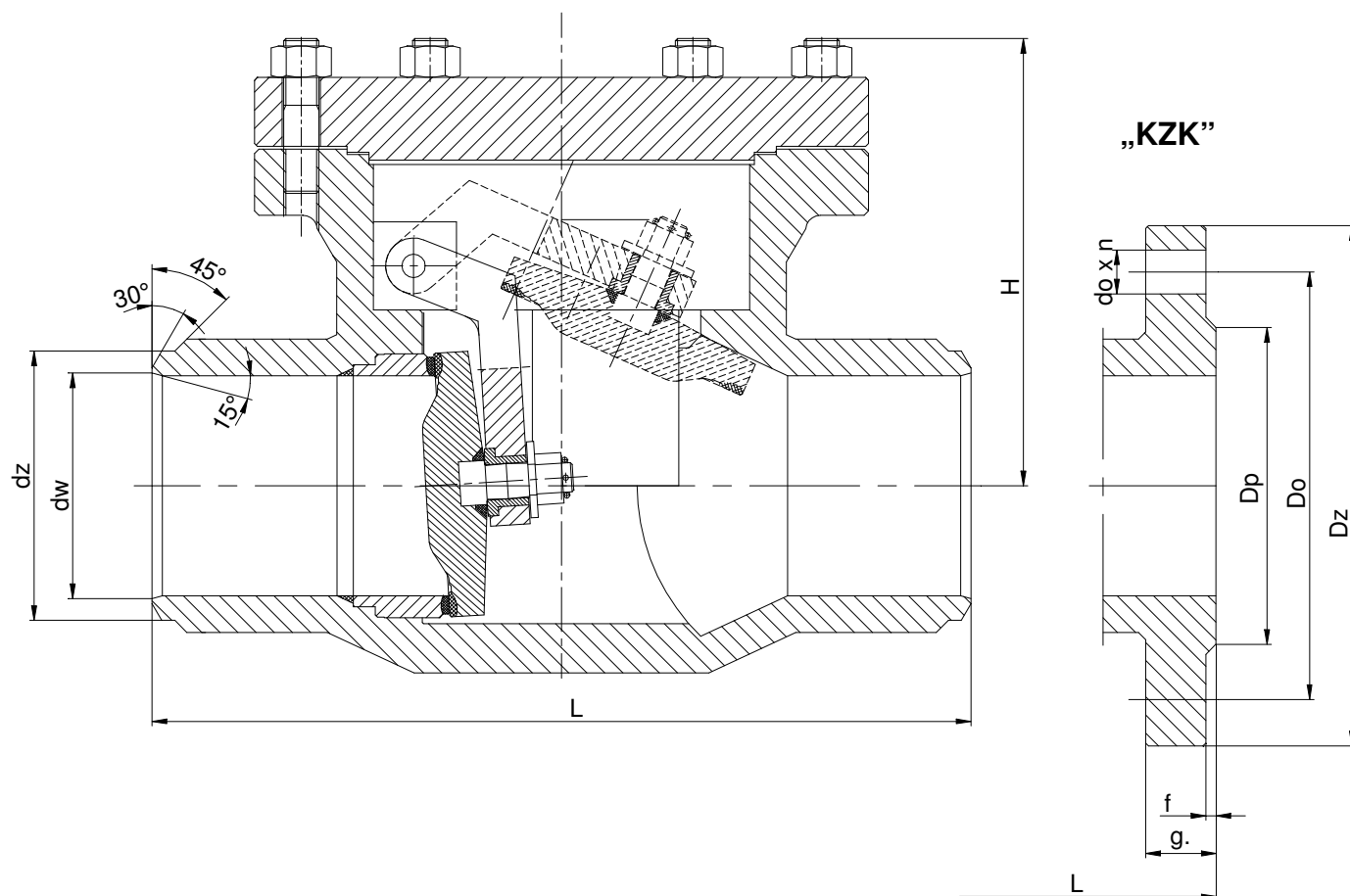
Example: KZK40 / A / ---

Body material	Sign
(P250GH) C 22.8	---
16Mo3	U
13CrMo4-5	A
10CrMo9-10	B
14MoV6-3	C
X10CrMoVNb9-1	E

Others	Sign

## APPLICATIONS:

The swing check valves are designed to keep pipeline safe from returning the medium. Swing check valve can be mounted to a pipe-line in horizontal position. The direction of flow should only comply with the arrow marked on the body.



# WK



FABRYKA ARMATURY PRZEMYSŁOWEJ

**WAKMET** Sp. z o.o.

Bodzanów 75 48-340 GŁUCHOŁAZY  
tel. +48 77 439-40-20, fax +48 77 439-18-72  
[wakmet@wakmet.com.pl](mailto:wakmet@wakmet.com.pl) [www.wakmet.com.pl](http://www.wakmet.com.pl)

## MATERIALS:

Versions	Standard	U	A	B	C	E
Parts	T <sub>MAX</sub> 450°C	T <sub>MAX</sub> 530°C	T <sub>MAX</sub> 560°C	T <sub>MAX</sub> 600°C	T <sub>MAX</sub> 570°C	T <sub>MAX</sub> 670°C
Body	(P250GH) C22.8 (1.0460)	16Mo3 (1.5415)	13CrMo4-5 (1.7335)	10CrMo9-10 (1.7380)	14MoV6-3 (1.7715)	X10CrMoVnB9-1 (1.4903)
Bonnet						
Disc						
Seat ring	Stellit					
Disc ring	G 18 8 Mn (1.4370)					
Gasket	Grafit + austenite					

Special materials on request; modifications reserved.

## DIMENSIONS:

DN	dz	dw	L	H	Weight
100	117	105	350	220	33,00

Dimensions in mm; modifications reserved.

## TECHNICAL DATA:

Body material	PN	Maximal working pressure at working temperature																
		20°C	100°C	150°C	200°C	250°C	300°C	350°C	400°C	450°C	480°C	500°C	520°C	530°C	540°C	560°C	570°C	600°C
		bar																
(P250GH)C 22.8 (1.0460)	40	40,0	37,1	35,2	33,3	30,5	27,6	25,7	23,8	13,1	-	-	-	-	-	-	-	-
16Mo3 (1.5415)	40	40,0	40,0	40,0	40,0	39,0	34,3	32,4	30,5	29,5	22,4	17,7	11,2	9,0	-	-	-	-
13CrMo4-5 (1.7335)	40	40,0	40,0	40,0	40,0	40,0	39,8	38,1	36,2	34,3	29,3	26,1	17,9	14,9	11,6	7,6	-	-
14MoV6-3 (1.7715)	40	40,0	40,0	40,0	40,0	40,0	40,0	40,0	39,8	38,7	38,5	38,3	28,4	25,0	21,5	16,4	13,9	-
10CrMo9-10 (1.7380)	40	40,0	40,0	40,0	40,0	39,0	37,1	35,2	33,3	31,4	31,0	30,3	19,6	17,1	14,9	11,0	9,7	6,5

## MOUNTING AND OPERATING:

*The valve can only be mounted and operated by skilled, properly trained and qualified personnel. Incorrect assembly or operation of the valve may have substantial impact on the entire system such as fluid leakage, reduction in system's function etc.*

Before a swing check valve is installed the pipeline must be clean from any mechanical impurities. The compatibility of critical parameters of flow must be checked with the parameters of valve. Swing check valve can be mounted to a pipe-line in horizontal position. The direction of the flow should only comply with the arrow marked on the body. The valve should be operated strictly with its assign. In order to provide valve's reliability the following suggestions must be observed:

- medium flowing through the valve is supposed to be clean out of any mechanical impurities;
- the valve must be protected from any mechanical damages during its work;
- nominal parameters marked on the valve must be observed.