

# STOP VALVE WITH BELLOWS TYPE 530M

## CARACTERISTIC:

- Diameter - 15 -200 mm;
- Pressure - 160 bar;
- Temperature - up to 560°C;
- Medium - water, steam and especially to toxic or poisonous media which may be harmful for human beings or environment and other non-toxic, non aggressive liquid and gas media and engine fuel.

## VERSIONS: type / ends / body material / disc and disc ring / others

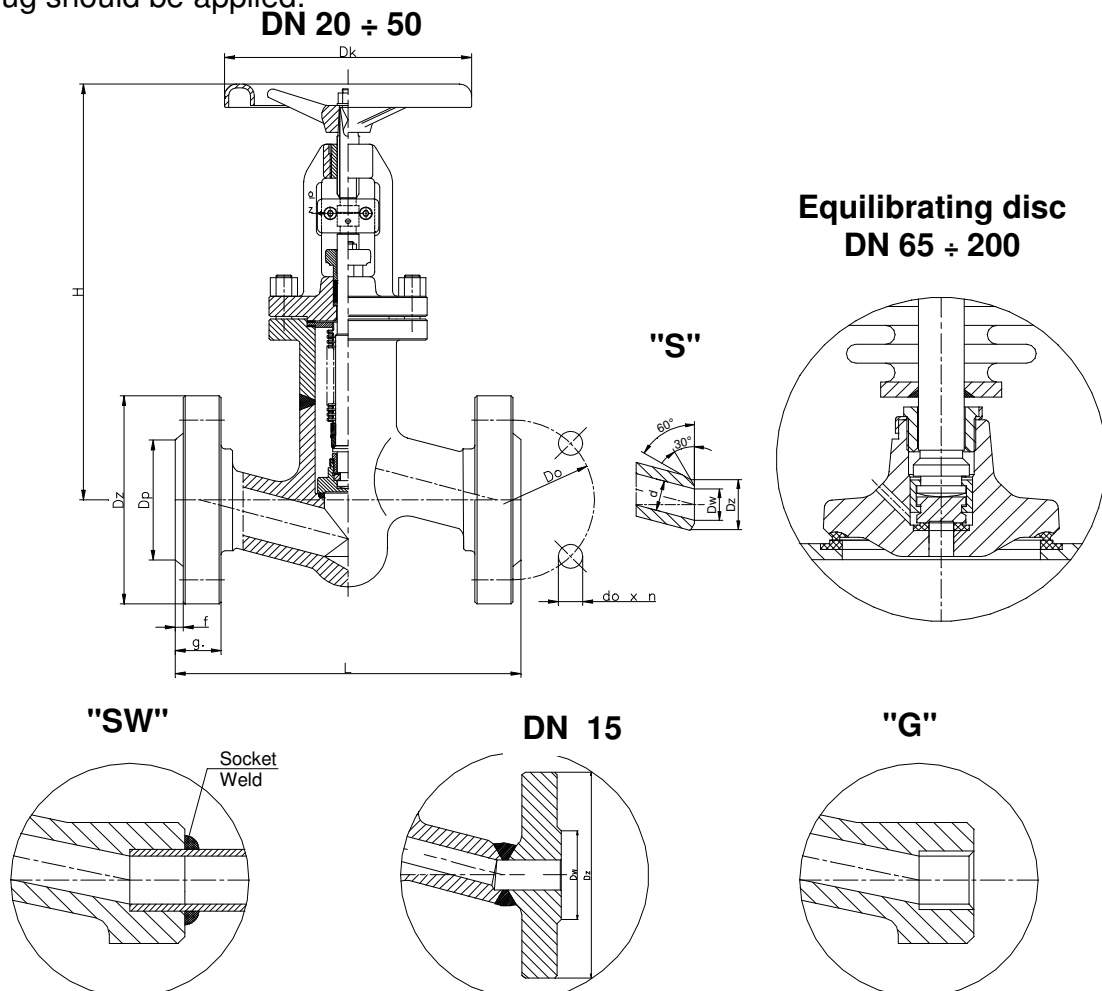
Example: 530M / --- / --- / --- / ---

Example: 530M / S / U / P / ---

Ends	Sign	Body material	Sign	Disc and disc ring	Sign	Others	Sign
Standard - flanged	---	(P250GH) C 22.8 or GP240GH	---	Standard	---	-----	---
Butt weld ends	S			STELLIT ring	L		
Socket weld	SW	16Mo3 or G20Mo5	U				
Threaded	G	13CrMo4-5 or G17CrMo5-5	A				

## APPLICATION:

Stop globe valve is designed to open and stop the flow where the fully tightness is required. The valve is not supposed to be used as a regulating device. For regulation the version „R” with throttling plug should be applied.



FABRYKA ARMATURY PRZEMYSŁOWEJ

**WAKMET Sp. z o.o.**

Bodzanów 75 48-340 GŁUCHOŁAZY  
tel.+48 77 439-40-20, fax +48 77 439-18-72

[wakmet@wakmet.com.pl](mailto:wakmet@wakmet.com.pl)

[www.wakmet.com.pl](http://www.wakmet.com.pl)

## MATERIALS:

Versions	Standard	U	A	Standard	U	A
Parts	T <sub>MAX</sub> 450°C	T <sub>MAX</sub> 530°C	T <sub>MAX</sub> 560°C	T <sub>MAX</sub> 450°C	T <sub>MAX</sub> 500°C	T <sub>MAX</sub> 550°C
	DN 15 - 40			DN 50 - 200		
Body, bonnet	(P250GH) C22.8 (1.0460)	16Mo3 (1.5415)	13CrMo4-5 (1.7335)	GP240GH (1.0619)	G20Mo5 (1.5419)	G17CrMo5-5 (1.7357)
Seat ring DN15-25	X17CrNi16-2 (1.4057)					
Seat ring	G 18 8 Mn (1.4370) or Stellite					
Disc ring	G 18 8 Mn (1.4370) or Stellite					
Stem	X20Cr13 (1.4021) , X17CrNi16-2 (1.4057)					
Bellows	X6CrNiTi18-10 (1.4541)					
Gasket	Grafit + austenite					
Wheel	Cast iron					

Special materials on request; modifications reserved.

## DIMENSIONS:

DN	d	Dz	Dp	Do	do	n	L	g.	f	H	h	Dk	Weight	"S"			
														Dz	Dw	L	Weight
15	14	105	45	75	14	4	210	20	2	235	13	120	5,70	22	17	160	3,30
20	19	130	58	90	18	4	230	22	2	285	13	160	10,10	28	21	160	3,30
25	23	140	68	100	18	4	230	24	2	285	13	160	11,10	35	27	160	3,30
32	30	155	78	110	22	4	260	24	2	315	16	200	15,40	44	34,5	230	9,70
40	38	170	88	125	22	4	260	28	3	315	18	200	16,10	50	43	230	9,90
50	45	195	102	145	30	4	300	30	3	340	22	250	32,30	62	52,5	300	21,50
65	62	220	122	170	26	8	340	34	3	415	30	280	48,60	77	65	340	33,50
80	73	230	138	180	26	8	380	36	3	505	40	360	65,90	91	76,5	380	52,60
100	94	265	162	210	30	8	430	40	3	645	55	360	126,50	117	98,5	430	100,10
125	120	315	188	250	33	8	500	44	3	720	65	400	175,50	144	120,5	500	145,40
150	144	355	218	290	33	12	550	50	3	795	70	500	260,00	172	144,5	550	210,10
200	195	430	285	360	36	12	650	60	3	1155	90	600	302,00	223	189	650	225,00

Dimensions in mm; modifications reserved.

## TECHNICAL DATA:

Body material	PN	Maximal working pressure at working temperature																
		20°C	100°C	150°C	200°C	250°C	300°C	350°C	400°C	450°C	480°C	500°C	510°C	520°C	530°C	540°C	550°C	560°C
(P250GH)C 22.8 (1.0460)	160	160,0	160,0	160,0	144,8	129,5	114,3	99,1	83,8	52,5	-	-	-	-	-	-	-	-
16Mo3 (1.5415)	160	160,0	160,0	160,0	160,0	156,1	137,1	129,5	121,9	118,0	89,7	70,8	57,8	44,9	35,8			
13CrMo4-5 (1.7335)	160	160,0	160,0	160,0	160,0	160,0	159,2	152,3	144,7	137,1	117,4	104,3	87,9	71,6	59,4	46,4	37,3	30,4
GP240GH (1.0619)	160	160,0	126,3	115,8	105,3	96,2	87,2	81,3	78,2	49,9	-	-	-	-	-	-	-	-
G20Mo5 (1.5419)	160	160,0	132,7	123,4	114,3	106,7	99,2	93,3	90,2	87,2	65,5	51,1	-	-	-	-	-	-
G17CrMo5-5 (1.7357)	160	160,0	160,0	160,0	160,0	160,0	160,0	160,0	152,3	110,5	84,1	61,7	54,7	47,7	40,7	33,7	26,7	-

## MOUNTING AND OPERATING:

*The valve can only be mounted and operated by skilled, properly trained and qualified personnel. Incorrect assembly or operation of the valve may have substantial impact on the entire system such as fluid leakage, reduction in system's function etc.*

Before a valve is installed the pipeline must be clean from any mechanical impurities. The compatibility of critical parameters of the flow must be checked with the parameters of the valve. Stop globe valve can be mounted to a pipe-line in any position. The direction of flow should only comply with the arrow marked on the body. The valve should be operated strictly with its assign. In order to provide valve's reliability the following suggestions must be observed:

- medium flowing through the valve is supposed to be clean out of any mechanical impurities;
- the valve must be protected from any mechanical damages during its work;
- nominal parameters marked on the valve must be observed.