

# STRAINER TYP 952

## CHARACTERISTIC:

Diameter	-	15 -125 mm;
Pressure	-	320 bar;
Temperature	-	up to 600°C;
Medium	-	water, steam and other non-toxic, non aggressive media and engine fuel, sea water.

## VERSIONS:

type / ends / body material / others

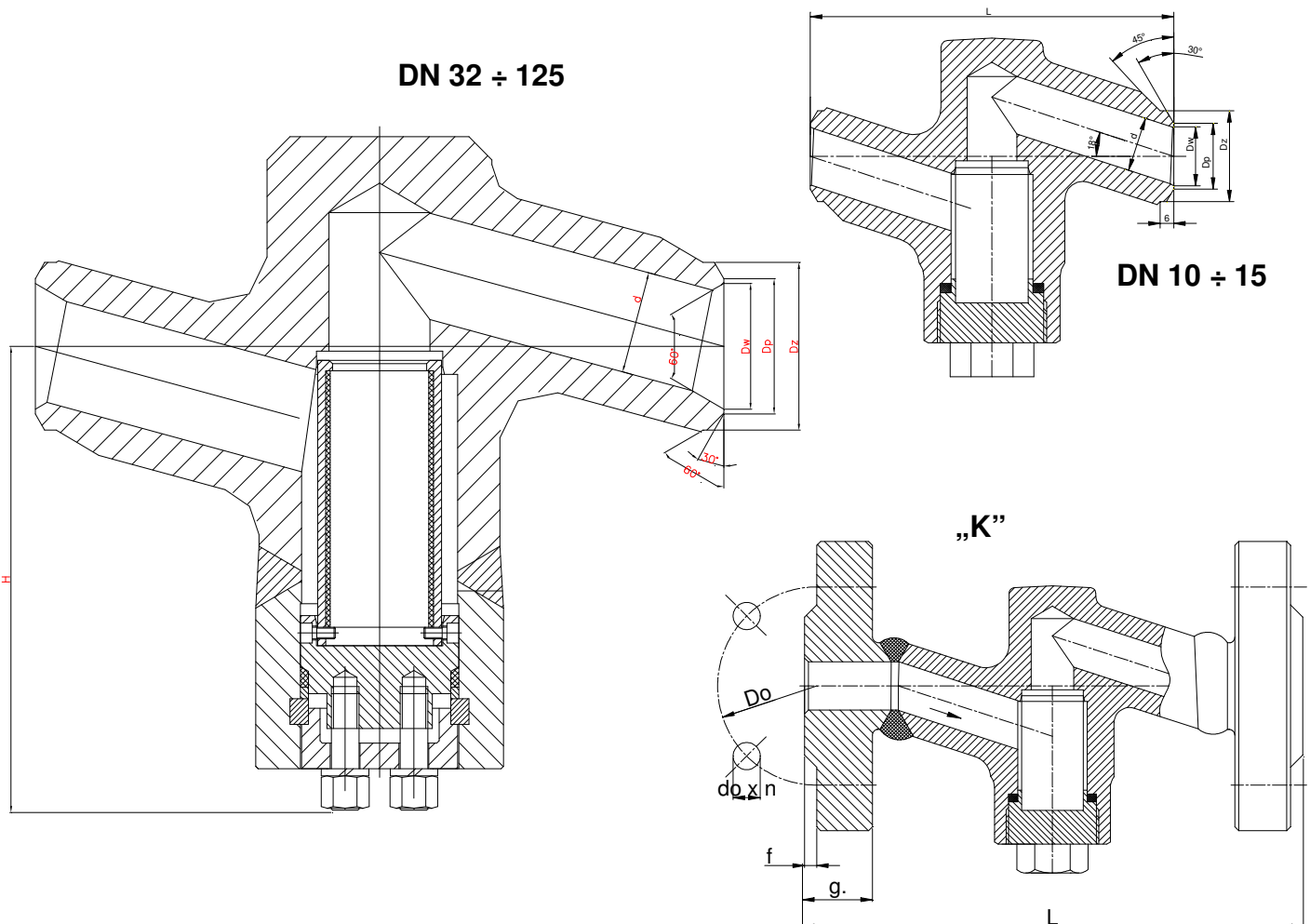
Example: 952 / --- / ---

Example: 952 / K / U

Ends		Body material	Sign	Others	Sign
Butt weld ends- standard	---	(P250GH) C 22.8	---	Standard – without drain plug	---
Flanged	K	16Mo3	U		
		13CrMo4-5	A		
		11CrMo9-10	B		
		14MoV6-3	C		

## APPLICATION:

Strainers are used to protect the pipeline and its equipment from impurities. The strainer stop every mechanical impurities bigger then mesh size. The strainers can be made with drain plug for special order.



® FABRYKA ARMATURY PRZEMYSŁOWEJ

**WAKMET** Sp. z o.o.

Bodzanów 75 48-340 GŁUCHOŁAZY  
tel. +48 77 439-40-20, fax +48 77 439-18-72  
[wakmet@wakmet.com.pl](mailto:wakmet@wakmet.com.pl) [www.wakmet.com.pl](http://www.wakmet.com.pl)

## MATERIALS:

Versions	Standard	U	A	B	C
Parts	T <sub>MAX</sub> 450°C	T <sub>MAX</sub> 530°C	T <sub>MAX</sub> 560°C	T <sub>MAX</sub> 600°C	T <sub>MAX</sub> 570°C
Body , bonnet	(P250GH) C22.8 (1.0460)	16Mo3 (1.5415)	13CrMo4-5 (1.7335)	11CrMo9-10 (1.7383)	14MoV6-3 (1.7715)
Strainer	X6CrNiTi18 10 (1.4541)				
Gasket	Grafit + austenite				

Special materials on request; modifications reserved.

## DIMENSIONS:

Flanged "K"										Standard-Butt weld ends				
DN	Dz	Dp	Do	do	n	L	g.	f	Weight	d	Dz	Dw	L	Weight
15	130	45	90	18	4	230	26	2	8,70	14	22	15	160	3,80
20	150	58	105	22	4	260	30	2	11,30	20	28	19	160	3,80
25	160	68	115	22	4	260	34	2	13,30	24	35	24	160	3,80
32	-	-	-	-	-	300	-	-	-	32	44	31,5	300	14,00
40	195	88	145	26	4	300	38	3	30,20	38	50	36	300	14,00
50	210	102	160	26	8	350	42	3	32,00	48	77	59,5	300	14,00
65	255	122	200	30	8	400	51	3	57,80	62	91	68	340	24,50
80	275	138	220	30	8	450	55	3	93,00	76	117	87,5	380	52,50
100	335	162	265	36	8	520	65	3	138,50	92	144	109,5	430	68,00
125	380	188	310	36	12	600	75	3	186,90	112	172	130,5	500	88,00

Dimensions in mm; modifications reserved.

The height of strainers depend from precision of filter.

## TECHNICAL DATA:

Body material	PN	Maximal working pressure at working temperature																
		20°C	100°C	150°C	200°C	250°C	300°C	350°C	400°C	450°C	500°C	510°C	520°C	530°C	540°C	560°C	570°C	600°C
(P250GH)C 22.8 (1.0460)	320	320,0	320,0	320,0	320,0	320,0	320,0	310,0	262,0	165,0	-	-	-	-	-	-	-	-
16Mo3 (1.5415)	320	320,0	320,0	320,0	320,0	320,0	320,0	320,0	320,0	320,0	222,0	176,0	141,0	112,0	-	-	-	-
13CrMo4-5 (1.7335)	320	320,0	320,0	320,0	320,0	320,0	320,0	320,0	320,0	320,0	320,0	276,0	224,0	186,0	146,0	95,0	79,0	-
14MoV6-3 (1.7715)	320	320,0	320,0	320,0	320,0	320,0	320,0	320,0	320,0	320,0	320,0	320,0	320,0	312,0	269,0	205,0	174,0	-
11CrMo9-10 (1.7380)	320	320,0	320,0	320,0	320,0	320,0	320,0	320,0	320,0	320,0	320,0	320,0	246,0	215,0	186,0	138,0	122,0	81,0

## Mesh

- 100 meshes/cm<sup>2</sup>; basic mesh size 0,6 mm - standard
- 200 meshes/cm<sup>2</sup>; mesh size 0,35 mm;
- 400 meshes/cm<sup>2</sup>; mesh size 0,25 mm;
- 600 meshes/cm<sup>2</sup>; mesh size 0,1 mm.

## MOUNTING AND OPERATING:

The valve can only be mounted and operated by skilled, properly trained and qualified personnel. Incorrect assembly or operation of the valve may have substantial impact on the entire system such as fluid leakage, reduction in system's function etc.

Before a strainer is installed the pipeline must be clean from any mechanical impurities. The compatibility of critical parameters of the flow must be checked with the parameters of the strainer. Strainer can be mounted to a pipe-line in horizontal position. The direction of the flow should only comply with the arrow marked on the body. The strainer should be cleaned every time a pipeline is stopped, after a repair and before heating season. In order to clean the strainer the bonnet must be taken off. The mesh can be washed with water under high pressure. Before the mesh is put in it must be dry. The strainer should be operated strictly with its assign.