

GATE VALVE TYPE ZS100 ; ZK100

CHARACTERISTIC:

Diameter	-	50 -500 mm;
Pressure	-	100 bar;
Temperature	-	up to 670°C;
Medium	-	water, steam and other non-toxic, non-aggressive media

VERSIONS:

type / body material / drive type / others

Example: ZS100 / --- / NA / ---

Example: ZK100 / A / NW / ---

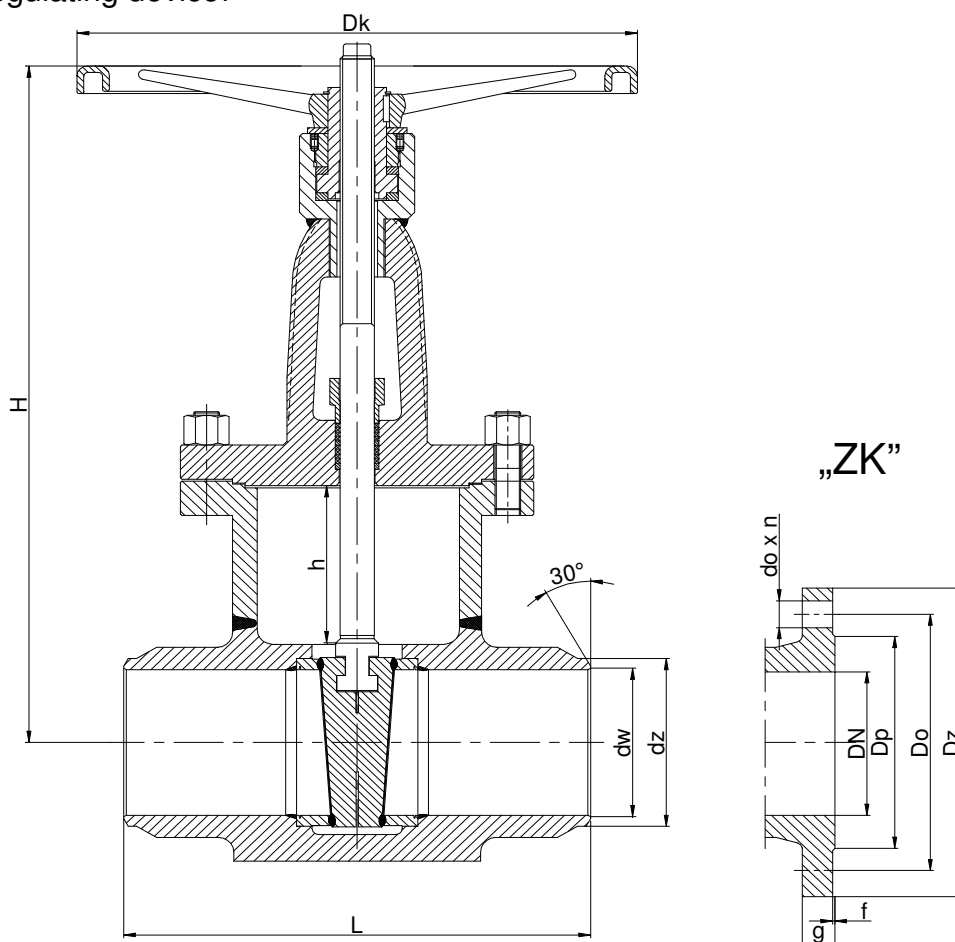
Body material	Sign
(P250GH) C 22.8	---
16Mo3	U
13CrMo4-5	A
11rMo9-10	B
14MoV6-3	C
X10CrMoVNb9-1	E

Drive type	Sign
Hand wheel	---
AUMA drive	NA
NWA drive	NW
MODACT drive	NM
Pneumatic drive	NP

Others	Sign
-----	---

APPLICATION:

Gate valve is designed to open and stop the flow. The gate valve can be mounted to a pipeline in any position. It should operate in a close or open position. The gate valve should not be used as a flow regulating device!



FABRYKA ARMATURY PRZEMYSŁOWEJ

WAKMET Sp. z o.o.

Bodzanów 75 48-340 GŁUCHOŁAZY

tel.+48 77 439-40-20, fax +48 77 439-18-72

wakmet@wakmet.com.pl

www.wakmet.com.pl

MATERIALS:

Versions	Standard	U	A	B	C	E
Parts	T _{MAX} 450°C	T _{MAX} 530°C	T _{MAX} 560°C	T _{MAX} 600°C	T _{MAX} 570°C	T _{MAX} 670°C
Body, bonnet	(P250GH) C22.8 (1.0460)	16Mo3 (1.5415)	13CrMo4-5 (1.7335)	11CrMo9-10 (1.7383)	14MoV6-3 (1.7715)	X10CrMoVNB9-1 (1.4903)
Wedge	11CrMo9-10 (1.7383)	11CrMo9-10 (1.7383)	11CrMo9-10 (1.7383)	11CrMo9-10 (1.7383)	11CrMo9-10 (1.7383)	X10CrMoVNB9-1 (1.4903)
Stem	X39CrMo17-1 (1.4122)					
Seat ring	Stellit					
Wedge ring	Stellit					
Gasket	Grafit + austenite					
Wheel	Steel					

Special materials on request; modifications reserved.

DIMENSIONS:

DN	dz	dw	L	H	h	Dk	Weight	„ZK”								
								Dz	Dp	Do	do	n	L	g.	f	Weight
50	62	54	250	463	61	400	32,20	195	102	145	26	4	250	30	3	43,00
65	77	69	290	524	77	400	45,90	220	122	170	26	8	290	34	3	61,00
80	91	81	310	545	92	500	49,70	230	138	180	26	8	310	36	3	63,00
100	117	104	350	590	115	500	81,60	265	162	210	30	8	350	40	3	108,00
125	144	127	400	700	140	500	135,90	315	188	250	33	8	400	40	3	166,00
150	172	154	450	760	160	700	228,10	355	218	290	33	12	450	44	3	278,00
200	223	199,5	550	920	225	700	360,00	430	285	360	36	12	550	52	3	437,00
250	278	248,5	650	1180	270	850	591,40	505	345	430	39	12	650	60	3	692,00
300	329	295,5	750	1540	325	800	864,00	585	410	500	42	16	750	68	4	1010,00
350	by customers acceptance							655	465	560	48	16	850	74	4	1158,00
400	by customers acceptance							715	535	620	48	16	1050	-	4	-
450	by customers acceptance							-	-	-	-	-	1350	-	-	-
500	by customers acceptance							870	615	760	56	20	1550	-	4	-

Dimensions in mm; modifications reserved.

TECHNICAL DATA:

Body material	PN	Maximal working pressure at working temperature															
		20°C	100°C	150°C	200°C	250°C	300°C	350°C	400°C	450°C	480°C	500°C	520°C	530°C	540°C	560°C	570°C
bar																	
(P250GH)C 22.8 (1.0460)	100	100,00	92,80	88,00	83,30	76,10	69,00	64,20	59,50	32,80	-	-	-	-	-	-	-
16Mo3 (1.5415)	100	100,00	100,00	100,00	100,00	97,60	85,70	80,90	76,10	73,80	56,00	44,20	28,00	22,30	-	-	-
13CrMo4-5 (1.7335)	100	100,00	100,00	100,00	100,00	100,00	99,50	95,20	90,40	85,70	73,40	65,20	44,70	37,10	29,00	19,00	15,70
14MoV6-3 (1.7715)	100	100,00	100,00	100,00	100,00	100,00	100,00	100,00	99,50	96,70	96,00	91,90	71,00	62,40	53,80	41,00	34,80
11CrMo9-10 (1.7383)	100	100,00	100,00	100,00	100,00	100,00	100,00	97,60	92,80	88,00	73,80	64,20	49,00	42,80	37,10	27,60	24,20

Body material	PN	Maximal working pressure at working temperature															
		20°C	530°C	540°C	550°C	560°C	570°C	580°C	590°C	600°C	610°C	620°C	630°C	640°C	650°C	660°C	670°C
bar																	
X10CrMoVNB9-1 (1.4903)	100	100,00	95,7	87,1	79,0	71,4	63,8	57,1	50,5	44,8	39,5	34,8	31,0	26,7	23,3	20,0	17,1

MOUNTING AND OPERATING:

The gate can only be mounted and operated by skilled, properly trained and qualified personnel. Incorrect assembly or operation of the gate may have substantial impact on the entire system such as fluid leakage, reduction in system's function etc.

Before a gate is installed the pipeline must be clean from any mechanical impurities. The compatibility of critical parameters of the flow must be checked with the parameters of the gate. Gate can be mounted to a pipe-line in any position. The direction of the flow should only comply with the arrow marked on the body. The valve should be operated strictly with its assign. In order to provide gate's reliability the following suggestions must be observed:

- medium flowing through the gate is supposed to be clean out of any mechanical impurities;
- the valve must be protected from any mechanical damages during its work;
- nominal parameters marked on the valve must be observed.