

# GATE VALVE TYPE ZS40 ; ZK40

## CHARACTERISTIC:

Diameter	-	50 -500 mm;
Pressure	-	40 bar;
Temperature	-	up to 670°C;
Medium	-	water, steam and other non-toxic, non-aggressive media

## VERSIONS:

**type / body material / drive type / others**

Example: ZS40 / --- / NA / ---

Example: ZK40 / U / --- / ---

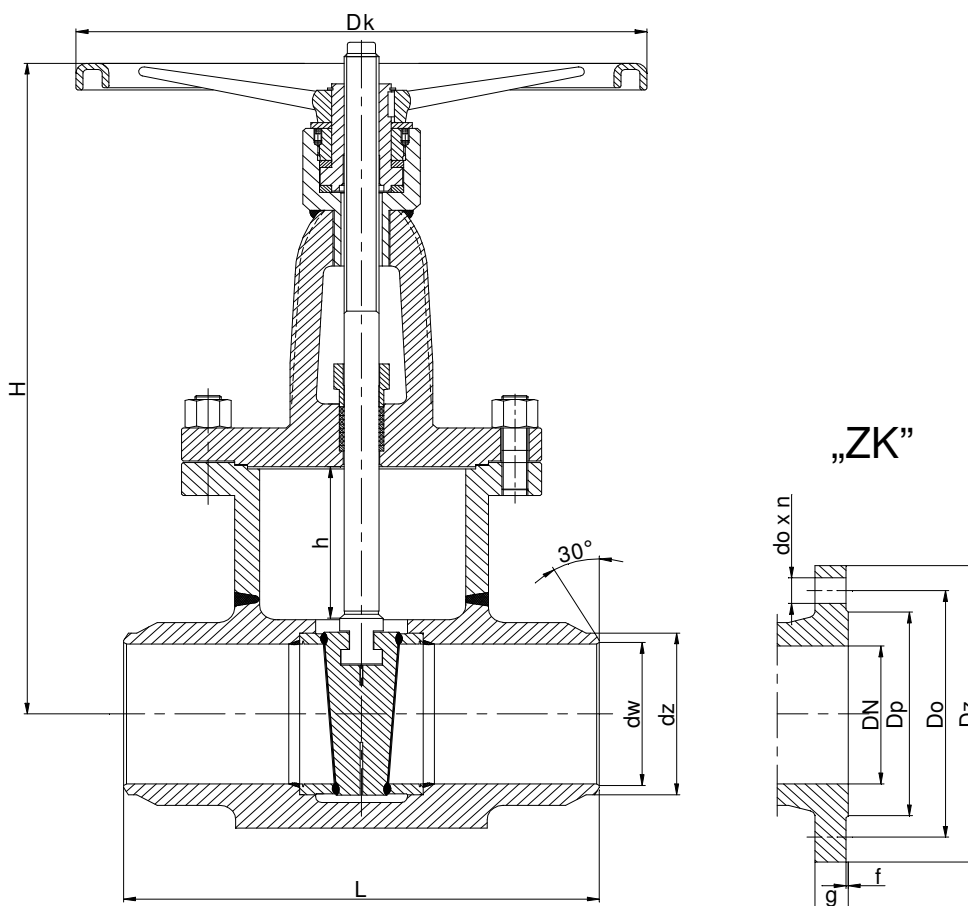
Body material	Sign
(P250GH) C 22.8	---
16Mo3	U
13CrMo4-5	A
11CrMo9-10	B
14MoV6-3	C
X10CrMoVNb9-1	E

Drive type	Sign
Hand wheel	---
AUMA drive	NA
NWA drive	NW
MODACT drive	NM

Others	Sign
-----	---

## APPLICATION:

Gate valve is designed to open and stop the flow. The gate valve can be mounted to a pipeline in any position. It should operate in a close or open position. The gate valve should not be used as a flow regulating device!



FABRYKA ARMATURY PRZEMYSŁOWEJ

**WAKMET Sp. z o.o.**

**Bodzanów 75 48-340 GŁUCHOŁAZY**

tel. +48 77 439-40-20, fax +48 77 439-18-72

[wakmet@wakmet.com.pl](mailto:wakmet@wakmet.com.pl)

[www.wakmet.com.pl](http://www.wakmet.com.pl)

## MATERIALS:

Versions	Standard	U	A	B	C	E
Parts	T <sub>MAX</sub> 450°C	T <sub>MAX</sub> 530°C	T <sub>MAX</sub> 560°C	T <sub>MAX</sub> 600°C	T <sub>MAX</sub> 570°C	T <sub>MAX</sub> 670°C
Body, bonnet, wedge	(P250GH) C22.8 (1.0460)	16Mo3 (1.5415)	13CrMo4-5 (1.7335)	11CrMo9-10 (1.7383)	14MoV6-3 (1.7715)	X10CrMoVNb9-1 (1.4903)
Stem	X39CrMo17-1 (1.4122)					
Seat ring	Stellit					
Wedge ring	Stellit					
Packing rings	Grafit					
Wheel	Steel					

Special materials on request; modifications reserved.

## DIMENSIONS:

DN	dz	dw	L	H	h	Dk	Weight	„ZK”								
								Dz	Dp	Do	do	n	L	g.	f	Weight
50	V	54	250	365	65	200	28,20	180	102	135	22	4	250	26	3	39,00
65	77	70	290	435	78	250	40,90	205	122	160	22	8	290	26	3	56,00
80	90	82	310	460	93	250	48,70	215	138	170	22	8	310	28	3	62,00
100	115	106	350	535	112	315	70,60	250	162	200	26	8	350	30	3	97,00
125	141	131	400	630	146	315	133,90	295	188	240	30	8	400	34	3	164,00
150	170	159	450	800	174	315	215,10	345	218	280	33	12	450	36	3	265,00
200	222	207	550	860	233	400	260,00	415	285	345	36	12	550	42	3	335,00
250	276	258	650	1055	260	500	440,20	470	345	400	36	16	650	46	3	498,00
300	325	302	750	1179	310	500	604,60	530	410	460	36	16	750	52	4	677,00
350	359	330	850	1395	355	630	814,60	600	465	525	39	16	850	56	4	914,00
400	409	383	1050	1520	410	GNR	-	670	535	585	42	16	1050	60	4	-
450	457	430,5	1350	1790	460	GNR	-	-	-	-	-	-	1350	-	-	-
500	508	481	1550	1910	510	GNR	-	800	615	705	48	20	1550	60	4	-

Dimensions in mm; modifications reserved.

## TECHNICAL DATA:

Body material	PN	Maximal working pressure at working temperature																
		20°C	100°C	150°C	200°C	250°C	300°C	350°C	400°C	450°C	480°C	500°C	520°C	530°C	540°C	560°C	570°C	600°C
(P250GH)C 22.8 (1.0460)	40	40,0	37,1	35,2	33,3	30,5	27,6	25,7	23,8	13,1	-	-	-	-	-	-	-	-
16Mo3 (1.5415)	40	40,0	40,0	40,0	40,0	39,0	34,3	32,4	30,5	29,5	22,4	17,7	14,5	11,2	9,0	-	-	-
13CrMo4-5 (1.7335)	40	40,0	40,0	40,0	40,0	40,0	39,8	38,1	36,2	34,3	29,3	26,1	22,0	17,9	14,9	11,6	-	-
14MoV6-3 (1.7715)	40	40,0	40,0	40,0	40,0	40,0	40,0	40,0	40,0	39,0	39,0	38,0	28,0	25,0	22,0	16,0	14,0	-
11CrMo9-10 (1.7383)	40	40,00	40,00	40,00	40,00	39,0	37,0	35,0	33,0	31,0	30,0	30,0	20,0	17,0	15,0	11,0	10,0	6,0

## MOUNTING AND OPERATING:

*The gate can only be mounted and operated by skilled, properly trained and qualified personnel. Incorrect assembly or operation of the gate may have substantial impact on the entire system such as fluid leakage, reduction in system's function etc.*

Before a gate is installed the pipeline must be clean from any mechanical impurities. The compatibility of critical parameters of the flow must be checked with the parameters of the gate. Gate can be mounted to a pipe-line in any position. The direction of the flow should only comply with the arrow marked on the body. The valve should be operated strictly with its assign. In order to provide gate's reliability the following suggestions must be observed:

- medium flowing through the gate is supposed to be clean out of any mechanical impurities;
- the valve must be protected from any mechanical damages during its work;
- nominal parameters marked on the valve must be observed.