

# GATE VALVE TYPE ZST250 ; ZKT250

## CHARACTERISTIC:

Diameter	-	50 -350 mm;
Pressure	-	250 bar;
Temperature	-	up to 600°C;
Medium	-	water, steam and other non-toxic, non-aggressive media

## VERSIONS:

**type / body material / drive type / others**

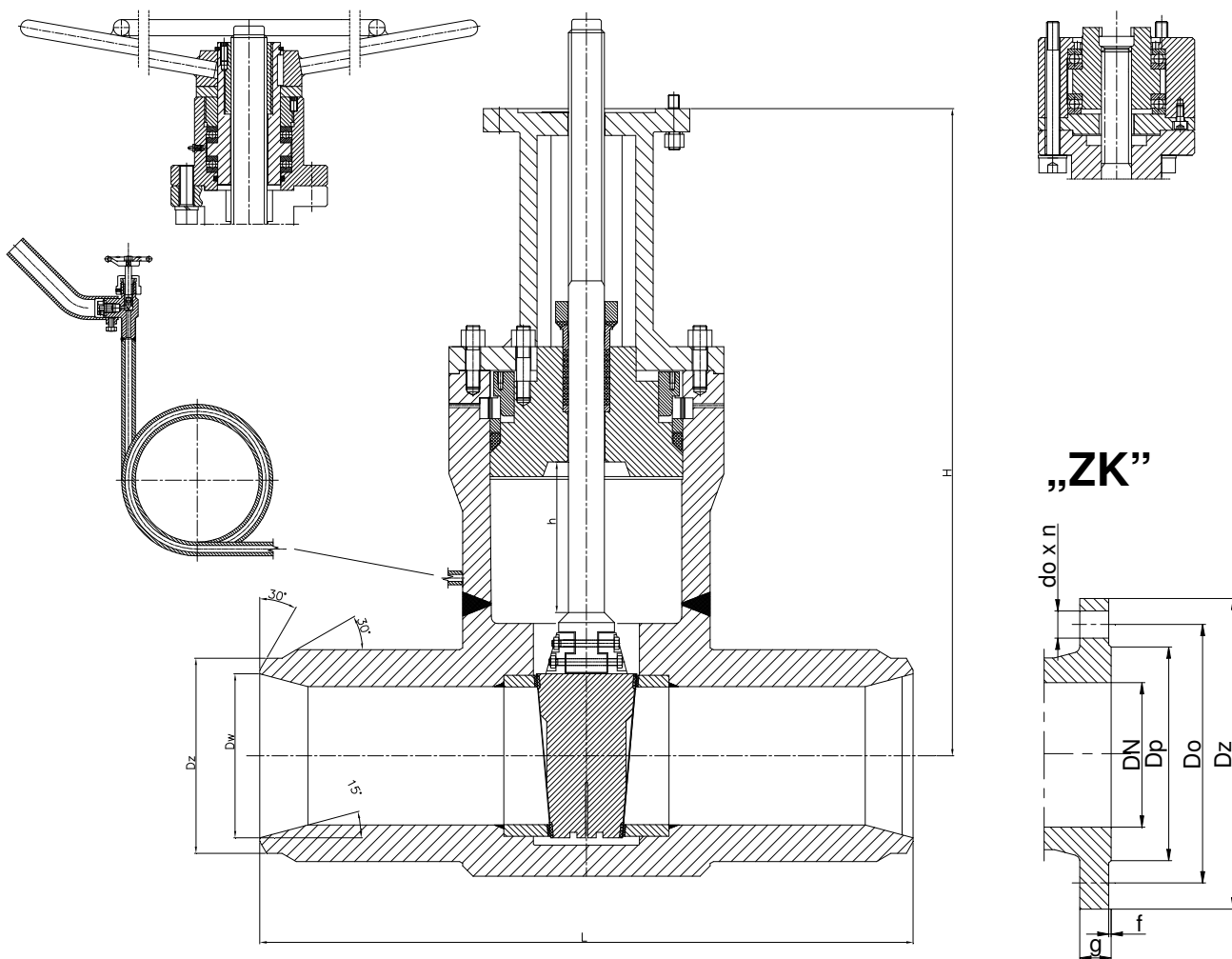
**Example:** ZST250 / --- / --- / ---

**Example:** ZST250 / A / NA / ---

Body material	Sign	Drive type	Sign	Others	Sign
(P250GH) C 22.8	---	Hand wheel	---	-----	---
16Mo3	<b>U</b>	AUMA drive	<b>NA</b>		
13CrMo4-5	<b>A</b>	NWA drive	<b>NW</b>		
11CrMo9-10	<b>B</b>	MODACT drive	<b>NM</b>		
14MoV6-3	<b>C</b>	Pneumatic drive	<b>NP</b>		

## APPLICATION:

Gate valve is designed to open and stop the flow. The gate valve can be mounted to a pipeline in any position. It should operate in a close or open position.



# WK

**® FABRYKA ARMATURY PRZEMYSŁOWEJ**

**WAKMET Sp. z o.o.**

**Bodzanów 75 48-340 GŁUCHOŁAZY**  
 tel. +48 77 439-40-20, fax +48 77 439-18-72  
[wakmet@wakmet.com.pl](mailto:wakmet@wakmet.com.pl) [www.wakmet.com.pl](http://www.wakmet.com.pl)

## MATERIALS:

Versions	Standard	U	A	B	C
Parts	T <sub>MAX</sub> 450°C	T <sub>MAX</sub> 530°C	T <sub>MAX</sub> 560°C	T <sub>MAX</sub> 600°C	T <sub>MAX</sub> 570°C
Body, bonnet	(P250GH) C22.8 (1.0460)	16Mo3 (1.5415)	13CrMo4-5 (1.7335)	11CrMo9-10 (1.7383)	14MoV6-3 (1.7715)
Wedge	11CrMo9-10 (1.7383)	11CrMo9-10 (1.7383)	11CrMo9-10 (1.7383)	11CrMo9-10 (1.7383)	11CrMo9-10 (1.7383)
Stem	BT9				
Seat ring	Stellit				
Wedge ring	Stellit				
Packing rings	Grafit				
Wheel	Steel				

Special materials on request; modifications reserved.

## DIMENSIONS:

Butt weld ends								Flanged								
DN	Dz	Dw	L	H	h	Dk	Weight	Dz	Dp	Do	do	n	L	g.	f	Weight
50	62	47	350	490	61	400	42,00	200	102	150	26	8	350	42	3	33,9
		45														
65	77	59,5	425	534	77	500	65,00	230	122	180	26	8	400	51	3	45,2
80	115	93	470	615	92	500	115,00	255	138	200	30	8	450	55	3	97,1
100	-	-	550	690	115	700	160,00	300	162	235	33	8	520	65	3	150,0
125	-	-	650	760	140	700	230,00	340	188	275	33	12	600	75	3	220,1
150	-	-	750	1040	160	1100	272,00	390	218	320	36	12	700	84	3	274,9
175	-	-	-	-	-	-	-	By customers acceptance								
200	-	-	950	1280	225	1100	629,00	485	285	400	42	12	800	103	3	640,2
250	-	-	1150	1450	270	1100	1034,0	585	345	490	48	16	900	125	3	1067,7
300	-	-	1350	1300	335	-	1692,0	690	410	590	52	16	1050	150	4	1612,6
350	By customers acceptance							By customers acceptance								
400	By customers acceptance							By customers acceptance								
450	By customers acceptance							By customers acceptance								
500	By customers acceptance							By customers acceptance								

Dimensions in mm; modifications reserved.

## TECHNICAL DATA:

Body material	PN	Maximal working pressure at working temperature																
		20°C	100°C	150°C	200°C	250°C	300°C	350°C	400°C	450°C	480°C	500°C	520°C	530°C	540°C	560°C	570°C	600°C
(P250GH)C 22.8 (1.0460)	250	250,0	232,1	220,2	208,3	190,4	172,6	160,7	148,8	82,1	-	-	-	-	-	-	-	-
16Mo3 (1.5415)	250	250,0	250,0	250,0	250,0	244,0	214,2	202,3	190,4	184,5	140,2	110,7	70,2	55,9	-	-	-	-
13CrMo4-5 (1.7335)	250	250,0	250,0	250,0	250,0	250,0	248,8	238,0	226,1	214,2	183,5	163,0	111,9	92,8	72,6	47,6	39,2	-
14MoV6-3 (1.7715)	250	250,0	250,0	250,0	250,0	250,0	250,0	250,0	248,8	241,7	239,9	229,8	177,4	156,0	134,5	102,4	86,9	-
11CrMo9-10 (1.7383)	250	250,0	250,0	250,0	250,0	250,0	250,0	244,0	232,1	220,2	184,5	160,7	122,6	107,1	92,8	69,0	60,7	40,4

## MOUNTING AND OPERATING:

*The gate can only be mounted and operated by skilled, properly trained and qualified personnel. Incorrect assembly or operation of the gate may have substantial impact on the entire system such as fluid leakage, reduction in system's function etc.*

Before a gate is installed the pipeline must be clean from any mechanical impurities. The compatibility of critical parameters of the flow must be checked with the parameters of the gate. Gate can be mounted to a pipe-line in any position. The direction of the flow should only comply with the arrow marked on the body. The valve should be operated strictly with its assign. In order to provide gate's reliability the following suggestions must be observed:

- medium flowing through the gate is supposed to be clean out of any mechanical impurities;
- the valve must be protected from any mechanical damages during its work;
- nominal parameters marked on the valve must be observed.