

# GATE VALVE TYPE GS250

## CHARACTERISTIC:

Diameter	-	50 -350 mm;
Pressure	-	250 bar;
Temperature	-	up to 600°C;
Medium	-	water, steam and other non-toxic, non-aggressive media

## VERSIONS:

type / body material / drive type / others

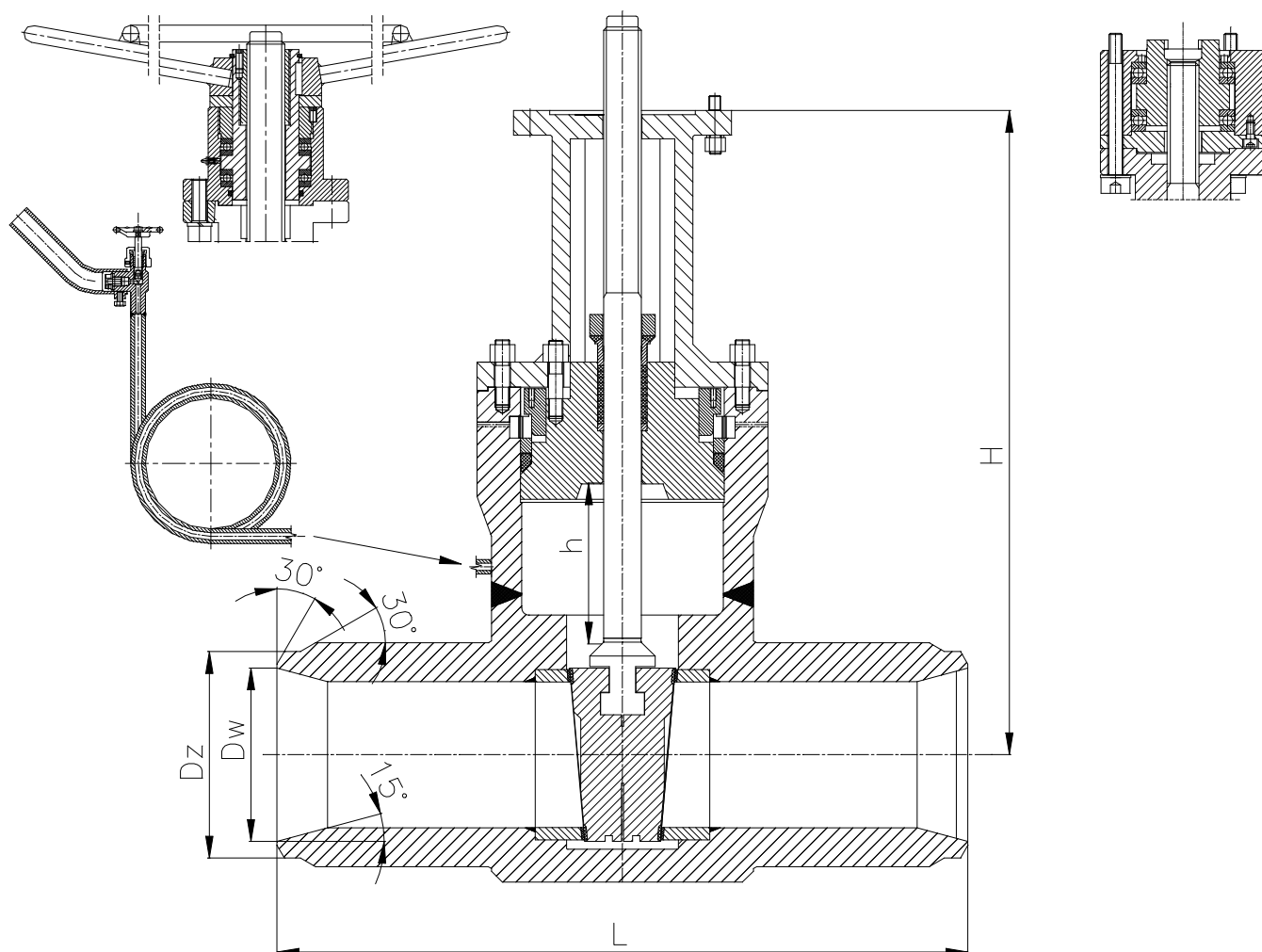
Example: GS250 / --- / --- / ---

Example: GS250 / U / NA / ---

Type	Body material	Sign	Drive type	Sign	Others	Sign
X6CrNiTi18-10	(1.4541)	<b>GKA</b>	Hand wheel	---	-----	---
X5CrNi18-10	(1.4301)	<b>GKA</b>	AUMA drive	<b>NA</b>		
X2CrNiMo17-12-2	(1.4404)	<b>GKB</b>	NWA drive	<b>NW</b>		
			MODACT drive	<b>NM</b>		
			Pneumatic drive	<b>NP</b>		

## APPLICATION:

Gate valve is designed to open and stop the flow. The gate valve can be mounted to a pipeline in any position. It should operate in a close or open position.



® FABRYKA ARMATURY PRZEMYSŁOWEJ

**WAKMET** Sp. z o.o.

Bodzanów 75 48-340 GŁUCHOŁAZY  
tel. +48 77 439-40-20, fax +48 77 439-18-72  
[wakmet@wakmet.com.pl](mailto:wakmet@wakmet.com.pl) [www.wakmet.com.pl](http://www.wakmet.com.pl)

## MATERIALS:

Versions Parts	GSA160	GSB160
Body, bonnet	X6CrNiTi18-10 (1.4541)	X2CrNiMo17-12-2 (1.4404)
Wedge	X6CrNiTi18-10 (1.4541)	X2CrNiMo17-12-2 (1.4404)
Stem	X6CrNiTi18-10 (1.4541)	X2CrNiMo17-12-2 (1.4404)
Packing rings	PTFE , Grafit	
Wheel	Steel	

Special materials on request; modifications reserved.

## DIMENSIONS:

DN	Dz	Dw	L	H	h	Dk	Weight
50	602	45	350	400	65	350	42,00
65	77	57,5	425	400	78	350	65,00
80	91	65,5	470	435	93	350	115,00
100	117	87,5	550	435	112	400	160,00
125	144	106,5	650	535	146	500	230,00
150	172	130,5	750	708	174	800	272,00
175	193,7	149,3	850	910	185	900	451,00
200	223	172	950	1107	233	1000	629,00
250	278	212,5	1150	1245	260	1000	1034,00
300	355,6	287	1350	1512	310	1000	1692,00
350	406,4	339	1500	1780	355	1000	1792,00

Dimensions in mm; modifications reserved.

## TECHNICAL DATA:

Body material	Medium	PN	Maximal working pressure at working temperature															
			20°C	100°C	150°C	200°C	250°C	300°C	350°C	400°C	450°C	480°C	500°C	510°C	520°C	530°C	540°C	550°C
X6CrNiTi18-10 (1.4541)	aggressive media	250	250	248	233	221	211	-	-	-	-	-	-	-	-	-	-	
		250	250	250	244	232	229	-	-	-	-	-	-	-	-	-	-	
X2CrNiMo17-12-2 (1.4404)	non aggressive media	250	250	248	233	221	211	199	192	186	182	180	177	177	176	176	175	169
		250	250	250	244	232	229	216	207	201	196	193	191	190	190	189	189	188
X5CrNi18-10 (1.4301)		250	250	250	250	234	216	201	192	186	182	180	179	165	151	137	123	109

## MOUNTING AND OPERATING:

*The gate can only be mounted and operated by skilled, properly trained and qualified personnel. Incorrect assembly or operation of the gate may have substantial impact on the entire system such as fluid leakage, reduction in system's function etc.*

Before a gate is installed the pipeline must be clean from any mechanical impurities. The compatibility of critical parameters of the flow must be checked with the parameters of the gate. Gate can be mounted to a pipe-line in any position. The direction of the flow should only comply with the arrow marked on the body. The valve should be operated strictly with its assign. In order to provide gate's reliability the following suggestions must be observed:

- medium flowing through the gate is supposed to be clean out of any mechanical impurities;
- the valve must be protected from any mechanical damages during its work;
- nominal parameters marked on the valve must be observed.