

STOP VALVE WITH BELLOWS TYPE 218M

CARACTERISTIC:

- Diameter - 15 - 300 mm;
- Pressure - 40 bar (flanges may be drilled for PN 6, 10, 16, 25 bar);
- Temperature - up to 530°C (with rubber sealing up to $\leq 120^\circ\text{C}$, with PTFE sealing up to $\leq 200^\circ\text{C}$);
- Medium - water, steam and especially to toxic or poisonous media which may be harmful for human beings or environment and other non-toxic, non aggressive liquid and gas media and engine fuel.

VERSIONS: type / ends / body material / disc and disc ring / others

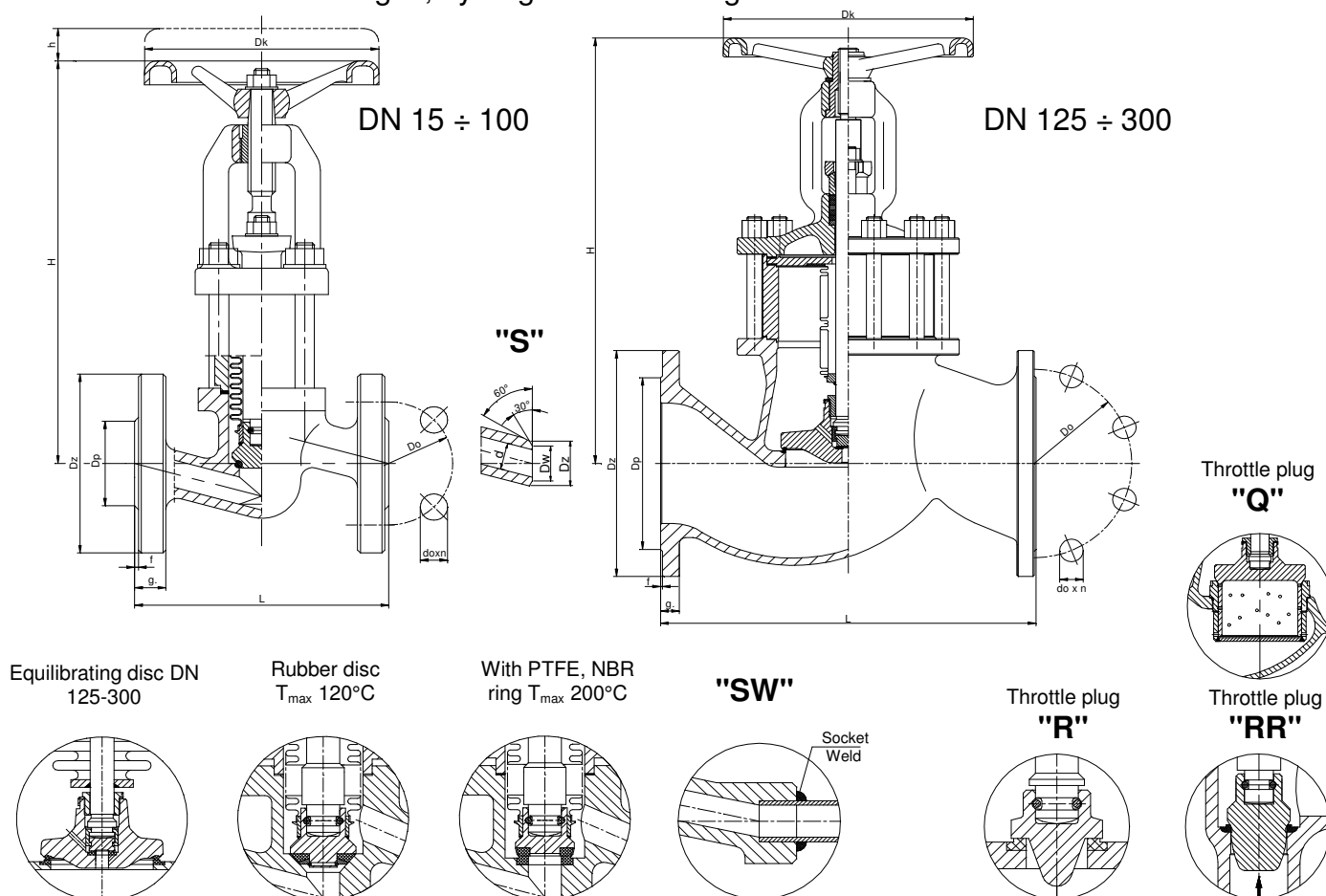
Example: 218M / --- / --- / --- / ---

Example: 218M / S / U / P / ---

Ends	Sign	Body material	Sign	Disc and disc ring	Sign	Others	Sign
Standard - flanged	---	(P250GH) C 22.8	---	Standard	---	-----	---
Butt weld ends	S	or GP240GH	---	PTFE ring	P		
Socket weld	SW	16Mo3 or G17CrMo5-5	U	NBR ring	N		
		13CrMo4-5 lub G17CrMo5-5	A	With rubber ring	G		
				Throttle plug	R		
				Throttle plug	RR		
				Throttle plug	Q		

APPLICATION:

The valves are designed for water, steam and especially to toxic or poisonous media which may be harmful for human beings or environment. The valves with rubber or PTFE sealing should be used for natural gas, hydrogen and other gaseous media.



FABRYKA ARMATURY PRZEMYSŁOWEJ

WAKMET Sp. z o.o.

Bodzanów 75 48-340 GŁUCHOŁAZY
tel.+48 77 439-40-20, fax +48 77 439-18-72

wakmet@wakmet.com.pl

www.wakmet.com.pl

MATERIALS:

Version	Standard	U	A	WM	Other
Parts	T _{MAX} 450°C	T _{MAX} 530°C	T _{MAX} 560°C	T _{MAX} 450°C	-
Body, bonnet DN 15-50	(P250GH) C22.8 (1.0460)	16Mo3 (1.5415)	13CrMo4-5 (1.7335)	(P250GH) C22.8 (1.0460)	(P250GH) C22.8, 16Mo3, 13CrMo4-5
Body, bonnet DN 65-300	GP240GH (1.0619)	G17CrMo5-5 (1.7357)	G17CrMo5-5 (1.7357)	GP240GH (1.0619)	GP240GH, G20Mo5, G17CrMo5-5
Seat ring DN15-25	X17CrNi16-2				Stellit or CW306G
Seat ring	G 18 8 Mn(1.4370)				
Disc DN 15-50	X30Cr13 (1.4028)	X30Cr13 (1.4028)	13CrMo4-5 (1.7335)	X17CrNi16-2 (1.4057)	CW306G
Disc DN 65-300	P250GH (1.0460)	P250GH (1.0460)	13CrMo4-5 (1.7335)	P250GH (1.0460)	CW306G
Disc ring	G 18 8 Mn (1.4370)				Stellit or CW306G or PTFE or NBR
Stem	X20Cr13 (1.4021)	X17CrNi16-2 (1.4057)	X39CrMo17-1 (1.4122)	X17CrNi16-2 (1.4057)	BT9 lub CW306G
Bellows	X6CrNiTi18-10 (1.4541)				
Other version. Stem, Disc,	X2CrNiMo17-12-2 (1.4404)				
Gasket	Graphite				
Wheel	Cast iron				

Special materials on request; modifications reserved.

DIMENSIONS:

DN	Standard - flanged																	With butt weld ends		
	PN 40												PN 16					Dz	Dw	Weight
	Dz	Dp	Do	do	n	L	g.	f	H	h	Dk	Weight	Dz	Dp	Do	do	n			
15	95	45	65	14	4	130	16	2	210	12	120	4,20	95	45	65	14	4	22	17	2,50
20	105	58	75	14	4	150	18	2	210	12	120	4,90	105	58	75	14	4	28	22	2,60
25	115	68	85	14	4	160	18	2	210	12	120	5,70	115	68	85	14	4	35	28,5	3,00
32	140	78	100	18	4	180	18	2	260	14	160	9,50	140	78	100	18	4	44	37	5,60
40	150	88	110	18	4	200	18	3	270	14	160	10,20	150	88	110	18	4	50	43	5,70
50	165	102	125	18	4	230	20	3	280	16	160	13,20	165	102	125	18	4	62	54	7,40
65	185	122	145	18	8	290	22	3	320	18	200	28,70	185	122	145	18	4	77	69	21,00
80	200	138	160	18	8	310	24	3	370	18	250	38,20	200	138	160	18	8	91	81	28,75
100	235	162	190	22	8	350	24	3	405	22	320	57,20	220	158	180	18	8	117	104	44,75
125	270	188	220	26	8	400	26	3	570	40	280	95,00	250	184	210	18	8	144	130,5	78,00
150	300	218	250	26	8	480	28	3	610	45	320	122,00	285	212	240	22	8	172	156,5	100,90
200	375	285	320	30	12	600	34	3	670	50	400	205,00	340	268	295	22	12	223	204,5	166,70
250	450	345	385	33	12	730	38	3	684	55	400	355,00	405	320	355	26	12	278	256,5	299,50
300	515	410	450	33	16	850	42	3	830	85	600	560,00	460	370	410	26	12	329	306,5	486,00

Dimensions in mm; modifications reserved.

TECHNICAL DATA:

Body material	PN	Maximal working pressure at working temperature																
		20°C	100°C	150°C	200°C	250°C	300°C	350°C	400°C	450°C	480°C	500°C	510°C	520°C	530°C	540°C	550°C	560°C
		bar																
(P250GH)C 22.8 (1.0460)	40	40,0	40,0	40,0	36,2	32,4	28,6	24,8	20,9	13,1	-	-	-	-	-	-	-	
16Mo3 (1.5415)	40	40,0	40,0	40,0	40,0	39,0	34,3	32,4	30,5	29,5	22,4	17,7	14,5	11,2	9,0	-	-	
13CrMo4-5 (1.7335)	40	40,0	40,0	40,0	40,0	40,0	39,8	38,1	36,2	34,3	29,3	26,1	22,0	17,9	14,9	11,6	9,3	7,6
GP240GH (1.0619)	40	40,0	31,6	28,9	26,3	24,1	20,3	25,7	19,5	12,5	-	-	-	-	-	-	-	
G20Mo5 (1.5419)	40	40,0	33,2	30,9	28,6	26,7	24,8	23,3	22,5	21,8	16,4	12,8	-	-	-	-	-	
G17CrMo5-5 (1.7357)	40	40,0	40,0	40,0	40,0	40,0	40,0	40,0	38,1	27,6	21,5	15,4	13,7	11,9	10,2	8,4	6,7	

MOUNTING AND OPERATING:

The valve can only be mounted and operated by skilled, properly trained and qualified personnel. Incorrect assembly or operation of the valve may have substantial impact on the entire system such as fluid leakage, reduction in system's function etc.

Before a valve is installed the pipeline must be clean from any mechanical impurities. The compatibility of critical parameters of the flow must be checked with the parameters of the valve. Stop globe valve can be mounted to a pipe-line in any position. The direction of flow should only comply with the arrow marked on the body. The valve should be operated strictly with its assign. In order to provide valve's reliability the following suggestions must be observed:

- medium flowing through the valve is supposed to be clean out of any mechanical impurities;
- the valve must be protected from any mechanical damages during its work;
- nominal parameters marked on the valve must be observed.