

# GATE VALVE TYPE ZST63 ; ZKT63

## CHARACTERISTIC:

Diameter	-	50 -500 mm;
Pressure	-	63 bar;
Temperature	-	up to 670°C;
Medium	-	water, steam and other non-toxic, non-aggressive media

## VERSIONS:

**type / body material / drive type / others**

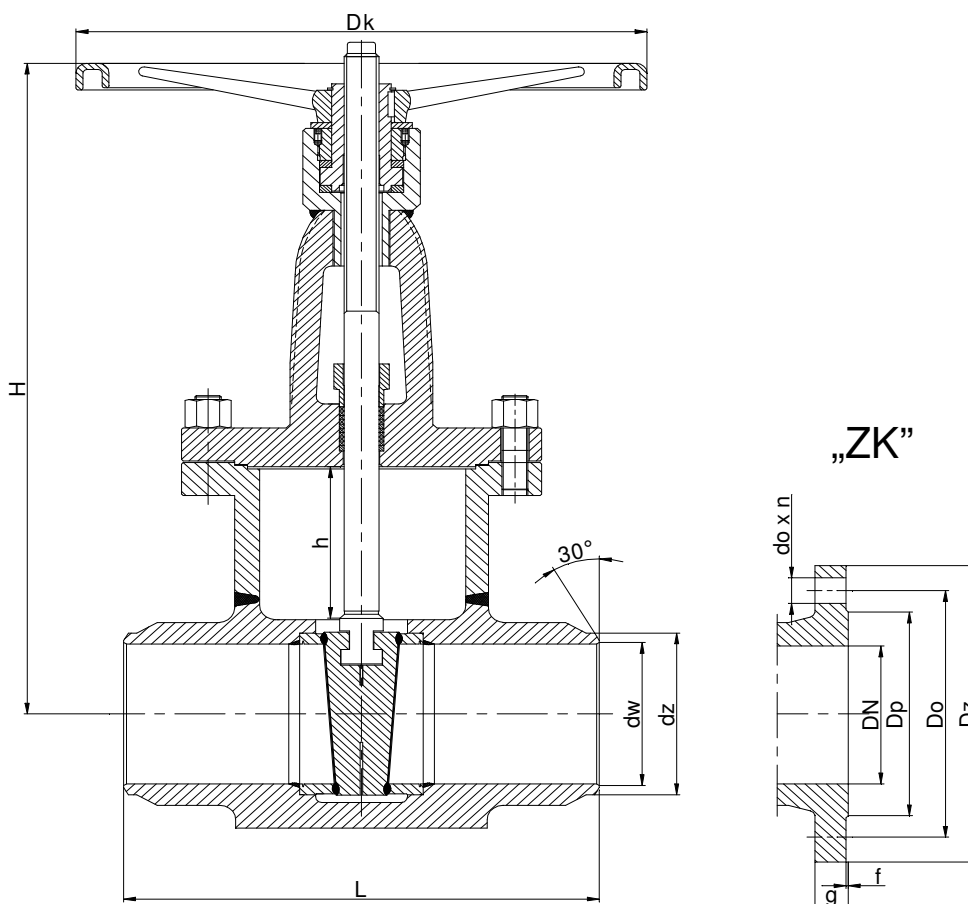
Example: ZST63 / A / NW / ---

Example: ZKT63 / B / NM / ---

Body material	Sign	Drive type	Sign	Others	Sign
(P250GH) C 22.8	---	Hand wheel	---	-----	---
16Mo3	<b>U</b>	AUMA drive	<b>NA</b>		
13CrMo4-5	<b>A</b>	NWA drive	<b>NW</b>		
11CrMo9-10	<b>B</b>	MODACT drive	<b>NM</b>		
14MoV6-3	<b>C</b>				
X10CrMoVNb9-1	<b>E</b>	Pneumatic drive	<b>NP</b>		

## APPLICATION:

Gate valve is designed to open and stop the flow. The gate valve can be mounted to a pipeline in any position. It should operate in a close or open position. The gate valve should not be used as a flow regulating device!



FABRYKA ARMATURY PRZEMYSŁOWEJ

**WAKMET Sp. z o.o.**

**Bodzanów 75 48-340 GŁUCHOŁAZY**

tel. +48 77 439-40-20, fax +48 77 439-18-72

[wakmet@wakmet.com.pl](mailto:wakmet@wakmet.com.pl)

[www.wakmet.com.pl](http://www.wakmet.com.pl)

## MATERIALS:

Versions	Standard	U	A	B	C	E
Parts	T <sub>MAX</sub> 450°C	T <sub>MAX</sub> 530°C	T <sub>MAX</sub> 560°C	T <sub>MAX</sub> 600°C	T <sub>MAX</sub> 570°C	T <sub>MAX</sub> 570°C
Body, bonnet	(P250GH) C22.8 (1.0460)	16Mo3 (1.5415)	13CrMo4-5 (1.7335)	11CrMo9-10 (1.7383)	14MoV6-3 (1.7715)	X10CrMoVNb9-1 (1.4903)
Wedge	11CrMo9-10 (1.7383)	11CrMo9-10 (1.7383)	11CrMo9-10 (1.7383)	11CrMo9-10 (1.7383)	11CrMo9-10 (1.7383)	X10CrMoVNb9-1 (1.4903)
Stem	BT9					
Seat ring	Stellit					
Wedge ring	Stellit					
Packing rings	Grafit					
Wheel	Steel					

Special materials on request; modifications reserved.

## DIMENSIONS:

DN	dz	dw	L	H	h	Dk	Weight	„ZK”								
								Dz	Dp	Do	do	n	L	g.	f	Weight
50	62	54	250	463	61	400	28,20	180	102	135	22	4	250	26	3	39,00
65	77	69	290	524	77	400	40,90	205	122	160	22	8	290	26	3	56,00
80	91	81	310	545	92	500	48,70	215	138	170	22	8	310	28	3	62,00
100	117	104	350	590	115	500	70,60	250	162	200	26	8	350	30	3	97,00
125	144	130,5	400	700	140	500	133,90	295	188	240	30	8	400	34	3	164,00
150	172	156,5	450	760	160	700	215,10	345	218	280	33	12	450	36	3	265,00
200	223	204,5	550	920	225	700	260,00	415	285	345	36	12	550	42	3	335,00
250	278	255	650	1180	270	850	440,20	470	345	400	36	16	650	46	3	498,00
300	329	301	750	1540	325	800	604,60	530	410	460	36	16	750	52	4	677,00
350	by customers acceptance							600	465	525	39	16	850	56	4	914,00
400	by customers acceptance							670	535	585	42	16	1050	60	4	-
450	by customers acceptance							-	-	-	-	-	1350	-	-	-
500	by customers acceptance							800	615	705	48	20	1550	60	4	-

Dimensions in mm; modifications reserved.

## TECHNICAL DATA:

Body material	PN	Maximal working pressure at working temperature																	
		20°C	100°C	150°C	200°C	250°C	300°C	350°C	400°C	450°C	480°C	500°C	520°C	530°C	540°C	560°C	570°C	600°C	
(P250GH)C 22.8 (1.0460)	63	63,00	58,50	55,50	52,50	48,00	43,50	40,50	37,50	20,70	-	-	-	-	-	-	-	-	
16Mo3 (1.5415)	63	63,00	63,00	63,00	63,00	61,50	54,00	51,00	48,00	46,50	35,30	27,90	17,70	14,10	-	-	-	-	
13CrMo4-5 (1.7335)	63	63,00	63,00	63,00	63,00	63,00	62,70	60,00	57,00	54,00	46,20	41,10	28,20	23,40	18,30	12,00	9,90	-	
14MoV6-3 (1.7715)	63	63,00	63,00	63,00	63,00	63,00	63,00	63,00	62,70	60,90	60,50	57,90	44,70	39,30	33,90	25,80	21,90	-	
11CrMo9-10 (1.7383)	63	63,00	63,00	63,00	63,00	63,00	63,00	61,50	58,50	55,50	46,50	40,50	30,90	27,00	23,40	17,40	15,30	10,2	

Body material	PN	Maximal working pressure at working temperature															
		20°C	530°C	540°C	550°C	560°C	570°C	580°C	590°C	600°C	610°C	620°C	630°C	640°C	650°C	660°C	670°C
X10CrMoVNb9-1 (1.4903)	63	63,00	60,3	54,9	49,8	45,0	40,2	36,0	31,8	28,2	24,9	21,9	19,5	16,8	14,7	12,6	10,8

## MOUNTING AND OPERATING:

*The gate can only be mounted and operated by skilled, properly trained and qualified personnel. Incorrect assembly or operation of the gate may have substantial impact on the entire system such as fluid leakage, reduction in system's function etc.*

Before a gate is installed the pipeline must be clean from any mechanical impurities. The compatibility of critical parameters of the flow must be checked with the parameters of the gate. Gate can be mounted to a pipe-line in any position. The direction of the flow should only comply with the arrow marked on the body. The valve should be operated strictly with its assign. In order to provide gate's reliability the following suggestions must be observed:

- medium flowing through the gate is supposed to be clean out of any mechanical impurities;
- the valve must be protected from any mechanical damages during its work;
- nominal parameters marked on the valve must be observed.

The producer reserves the rights to change the content and the form of this catalogue card without notification