

# Y-TYPE STOP GLOBE VALVE TYPE 264

## CHARACTERISTIC:

Diameter	-	15 -200 mm;
Pressure	-	40 bar (flanges may be drilled for PN 6, 10, 16, 25 bar);
Temperature	-	up to 530°C (with PTFE sealing up to $\leq 200^{\circ}\text{C}$ );
Medium	-	water, steam and other non-toxic, non aggressive liquid and gas media and engine fuel, sea water.

## VERSIONS:

**type / ends / body material / disc and disc ring / others**

**Example:** 264 / --- / --- / --- / ---

**Example:** 264 / S / U / R / WM

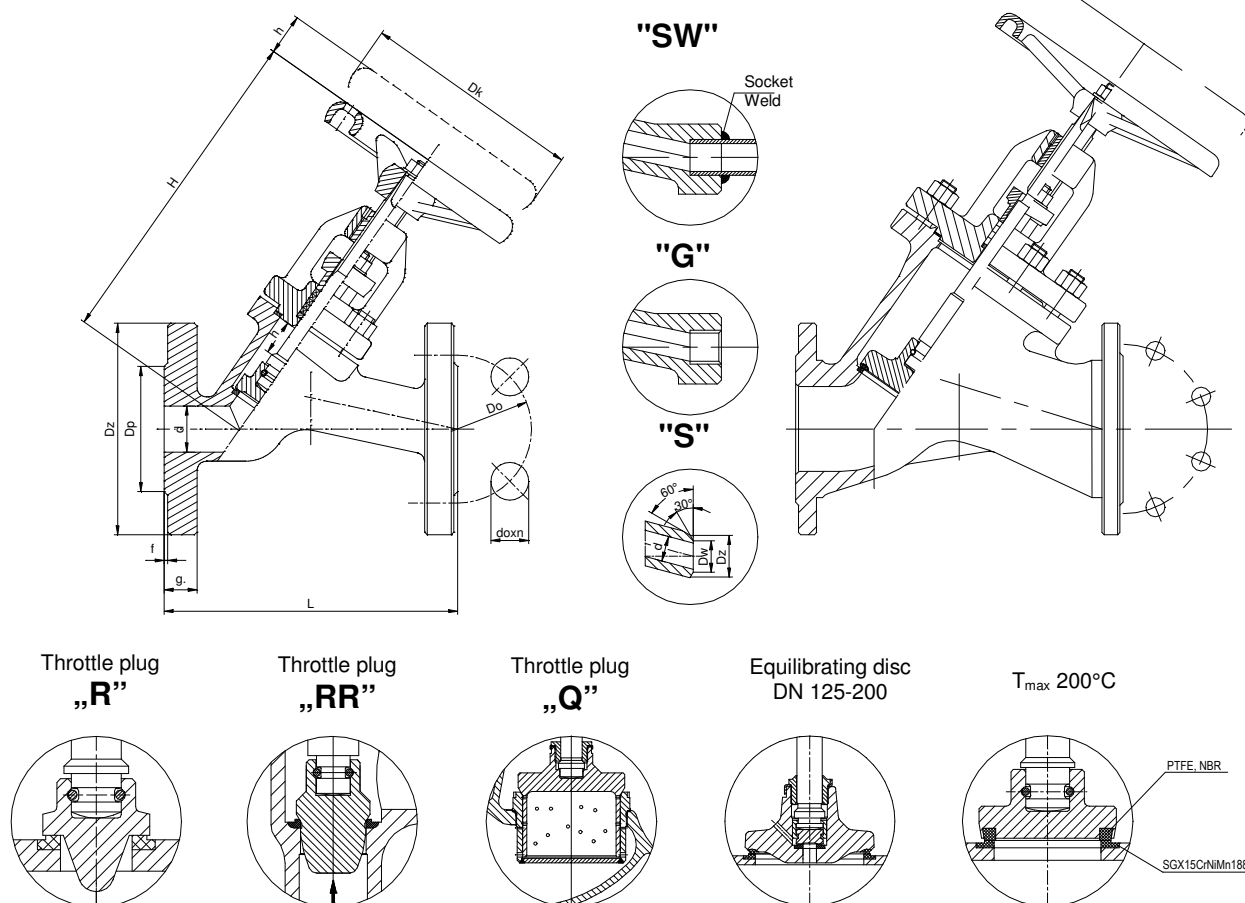
Ends	Sign	Body material	Sign	Disc and disc ring	Sign	Others	Sign
Standard - flanged	---	(P250GH) C 22.8	---	Standard	---		---
Butt weld ends	S	or GP240GH		Throttle plug	R	Sea version	WM
Socket weld	SW	16Mo3 or G20Mo5	U	Throttle plug	RR		
Threaded	G			Throttle plug	Q		
				PTFE ring	P		
				NBR ring	N		
				STELLIT ring	L		

## APPLICATION:

Stop globe valve is designed to open and stop the flow. The valve is not supposed to be used as a regulating device. For regulation the version „R” with throttling plug should be applied.

DN 15 - 50

DN 65 -200



# WK



**FABRYKA ARMATURY PRZEMYSŁOWEJ**

**WAKMET Sp. z o.o.**

**Bodzanów 75 48-340 GŁUCHOŁAZY**  
 tel. +48 77 439-40-20, fax +48 77 439-18-72  
[wakmet@wakmet.com.pl](mailto:wakmet@wakmet.com.pl) [www.wakmet.com.pl](http://www.wakmet.com.pl)

## MATERIALS:

Version	Standard	U
Parts	T <sub>MAX</sub> 450°C	T <sub>MAX</sub> 530°C
Body DN15-50	(P250GH) C22.8 (1.0460)	16Mo3 (1.5415)
Bonnet DN15-50		13CrMo4-5 (1.7335)
Body DN 65-300	GP240GH (1.0619)	G17CrMo5-5 (1.7357)
Bonnet DN65-300		
Seat ring DN15-25	X17CrNi16-2 (1.4057)	
Seat ring	G 18 8 Mn(1.4370)	
Disc DN 15-50	X30Cr13 (1.4028)	X30Cr13 (1.4028)
Disc DN 65-300	P250GH (1.0460)	P250GH (1.0460)
Disc ring	G 18 8 Mn (1.4370)	
Stem	X20Cr13 (1.4021)	X17CrNi16-2 (1.4057)
Packing rings	Graphit	
Wheel	Cast iron	

Special materials on request; modifications reserved.

## DIMENSIONS:

DN	Standard - flanged																	With butt weld ends		
	PN 40												PN 16					Dz	Dw	Weight
	Dz	Dp	Do	do	n	L	g.	f	H	h	Dk	Weight	Dz	Dp	Do	do	n			
15	95	45	65	14	4	130	16	2	178	13	120	3,90	95	45	65	14	4	22	17	2,30
20	105	58	75	14	4	150	18	2	178	13	120	4,50	105	58	75	14	4	28	22	2,50
25	115	68	85	14	4	160	18	2	178	13	120	5,00	115	68	85	14	4	35	28,5	2,60
32	140	78	100	18	4	180	18	2	225	15	160	8,70	140	78	100	18	4	44	37	4,90
40	150	88	110	18	4	200	18	3	235	19	160	10,50	150	88	110	18	4	50	43	6,20
50	165	102	125	18	4	230	20	3	245	24	160	12,50	165	102	125	18	4	62	54	7,70
65	185	122	145	18	8	290	22	3	270	30	200	32,00	185	122	145	18	4	77	69	24,70
80	200	138	160	18	8	310	24	3	325	40	250	42,50	200	138	160	18	8	91	81	33,60
100	235	162	190	22	8	350	24	3	440	45	320	61,30	220	158	180	18	8	117	104	49,60
125	270	188	220	26	8	400	26	3	487	55	280	85,40	250	184	210	18	8	144	130,5	69,30
150	300	218	250	26	8	480	28	3	550	65	320	133,00	285	212	240	22	8	172	156,5	113,00
200	375	285	320	30	12	600	34	3	648	75	400	198,00	340	268	295	22	12	223	204,5	162,20

Dimensions in mm; modifications reserved.

## TECHNICAL DATA:

Body material	PN	Maximal working pressure at working temperature																
		20°C	100°C	150°C	200°C	250°C	300°C	350°C	400°C	450°C	480°C	500°C	510°C	520°C	530°C	540°C	550°C	560°C
(P250GH)C 22.8 (1.0460)	40	40,0	40,0	40,0	36,2	32,4	28,6	24,8	20,9	13,1	-	-	-	-	-	-	-	-
	16Mo3 (1.5415)	40	40,0	40,0	40,0	39,0	34,3	32,4	30,5	29,5	22,4	17,7	14,5	11,2	9,0	-	-	-
GP240GH (1.0619)	40	40,0	31,6	28,9	26,3	24,1	20,3	25,7	19,5	12,5	-	-	-	-	-	-	-	-
G20Mo5 (1.5419)	40	40,0	33,2	30,9	28,6	26,7	24,8	23,3	22,5	21,8	16,4	12,8	-	-	-	-	-	-

## MOUNTING AND OPERATING:

*The valve can only be mounted and operated by skilled, properly trained and qualified personnel. Incorrect assembly or operation of the valve may have substantial impact on the entire system such as fluid leakage, reduction in system's function etc.*

Before a valve is installed the pipeline must be clean from any mechanical impurities. The compatibility of critical parameters of the flow must be checked with the parameters of the valve. Stop globe valve can be mounted to a pipe-line in any position. The direction of flow should only comply with the arrow marked on the body. The valve should be operated strictly with its assign. In order to provide valve's reliability the following suggestions must be observed:

- medium flowing through the valve is supposed to be clean out of any mechanical impurities;
- the valve must be protected from any mechanical damages during its work;
- nominal parameters marked on the valve must be observed.