

SCREW-DOWN-NON-RETURN VALVE ACID-PROOF ANGULAR TYPE ZZZFA40

CHARACTERISTIC:

Diameter	-	15 -250 mm;
Pressure	-	40 bar (flanged may be drilled for 6, 10, 16, 25, bar)
Temperature	-	up to 250°C for acids, bases and other aggressive media;
	-	up to 550°C for non-toxic media; (with PTFE sealing up to 200°C);
Medium	-	acids, liquors, water, steam and other non-toxic and non aggressive liquid and gas media, engine fuel.

VERSIONS:

type - body material / ends / disc and disc ring / others

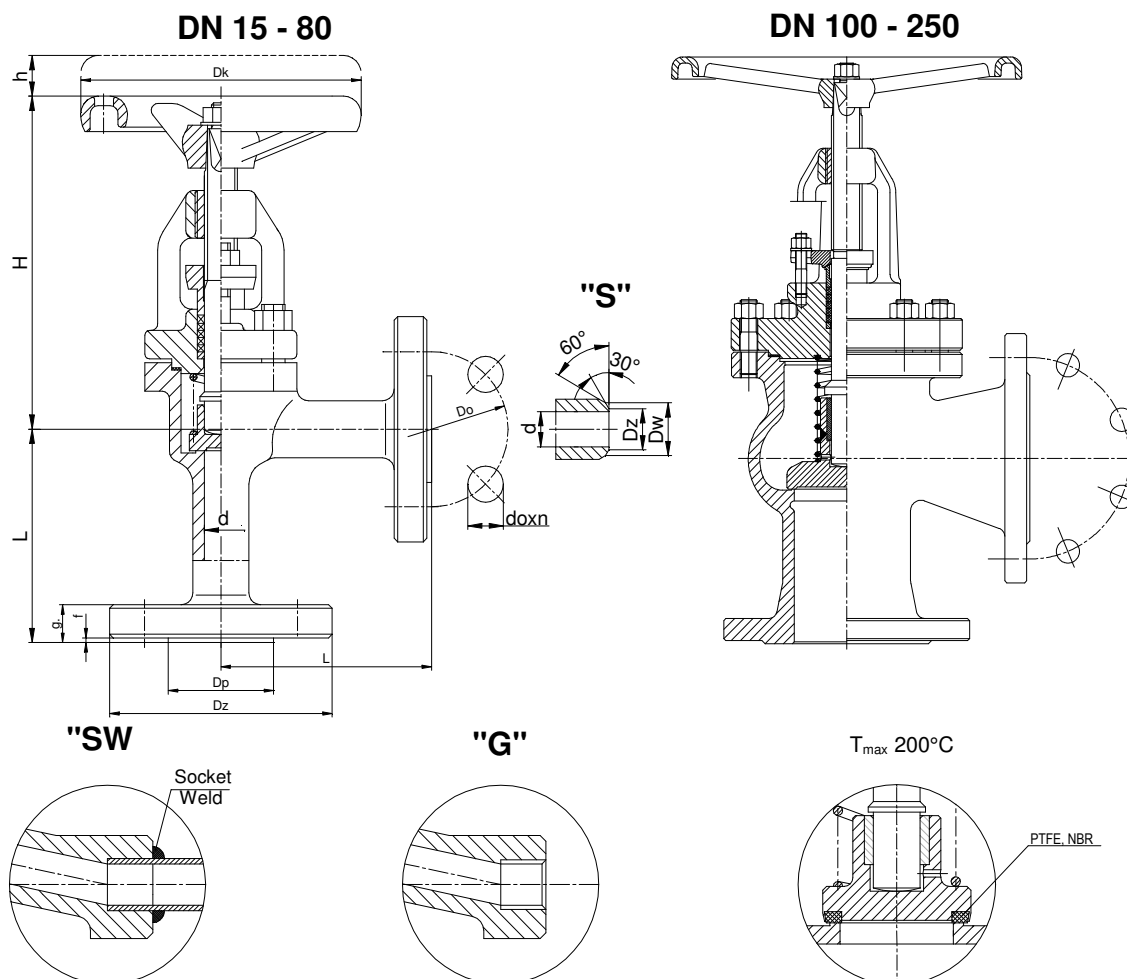
Example: ZZZFA40 / --- / --- / ---

Example: ZZZFB40 / S / P / ---

Type - body material	Sign	Ends	Sign	Disc and disc rings	Sign	Others	Sign
X6CrNi18-10 or GX5CrNi19-10	ZZZFA40	Standard –flanged	---	Standard	---	-----	---
		Butt weld ends	S	PTFE ring	P		
X2CrNiMo17-12-2 or GX5CrNiMo19-11-2	ZZZFB40	Socket weld	SW	NBR ring	N		
		Threaded	G				

APPLICATION:

The valves are designed to keep pipeline safe from returning the medium. Screw-down-non-return valve can be used as a stop globe valve to open and stop the flow. The valve is not supposed to be used as a regulating device.



FABRYKA ARMATURY PRZEMYSŁOWEJ

WAKMET Sp. z o.o.

Bodzanów 75 48-340 GŁUCHOŁAZY
 tel. +48 77 439-40-20, fax +48 77 439-18-72
wakmet@wakmet.com.pl www.wakmet.com.pl

MATERIALS:

Versions	ZZZFA40	ZZZFB40	ZZZFA40	ZZZFB40
Parts	DN 15 - 80			
	DN 100 - 250			
Body , bonnet	X6CrNiTi18-10 (1.4541)	X2CrNiMo17-12-2 (1.4404)	GX5CrNi19-10 (1.4308)	GX5CrNiMo19-11-2 (1.4408)
Disc	X6CrNiTi18-10 (1.4541)	X2CrNiMo17-12-2 (1.4404)	X6CrNiTi18-10 (1.4541)	X2CrNiMo17-12-2 (1.4404)
Stem	X6CrNiTi18-10 (1.4541)	X2CrNiMo17-12-2 (1.4404)	X6CrNiTi18-10 (1.4541)	X2CrNiMo17-12-2 (1.4404)
Spring	X6CrNiTi18-10 (1.4541)			
Packing rings, gasket	Grafit			
Wheel	Cast iron			

Special materials on request; modifications reserved.

DIMENSIONS:

DN	Standard - flanged																		With butt weld ends		
	PN 40												PN 16						Dz	Dw	Weight
	Dz	Dp	Do	do	n	L	g.	f	H	h	Dk	Weight	Dz	Dp	Do	do	n				
15	95	45	65	14	4	90	16	2	153	15	120	3,90	95	45	65	14	4	22	17	2,30	
20	105	58	75	14	4	95	18	2	153	15	120	4,40	105	58	75	14	4	28	22	2,20	
25	115	68	85	14	4	100	18	2	153	15	120	4,90	115	68	85	14	4	35	28,5	2,30	
32	140	78	100	18	4	105	18	2	240	17	160	8,50	140	78	100	18	4	44	37	4,70	
40	150	88	110	18	4	115	18	3	250	22	160	9,10	150	88	110	18	4	50	43	4,80	
50	165	102	125	18	4	125	20	3	255	26	160	12,40	165	102	125	18	4	62	54	6,70	
65	185	122	145	18	8	145	22	3	290	30	200	24,50	185	122	145	18	4	77	69	17,20	
80	200	138	160	18	8	155	24	3	320	36	250	32,80	200	138	160	18	8	91	81	23,90	
100	235	162	190	22	8	175	24	3	360	50	320	55,50	220	158	180	18	8	117	104	43,80	
125	270	188	220	26	8	200	26	3	390	58	280	67,00	250	184	210	18	8	144	130,5	50,80	
150	300	218	250	26	8	225	28	3	440	70	320	88,50	285	212	240	22	8	172	156,5	68,60	
200	375	285	320	30	12	275	34	3	515	92	400	150,00	340	268	295	22	12	223	204,5	114,20	
250	450	345	385	33	12	325	38	3	590	130	400	245,00	405	320	355	26	12	278	256,5	196,60	

Dimensions in mm; modifications reserved.

TECHNICAL DATA

Body material	Medium	PN	Maximal working pressure at working temperature																		
			20°C	100°C	150°C	200°C	250°C	300°C	350°C	400°C	450°C	480°C	500°C	510°C	520°C	530°C	540°C	550°C			
			bar																		
X6CrNiTi18-10 (1.4541)	aggressive media	40	40,0	39,6	37,3	35,4	33,7	-	-	-	-	-	-	-	-	-	-	-	-	-	
GX5CrNi19-10 (1.4308)		40	40,0	35,2	30,5	27,1	23,8	-	-	-	-	-	-	-	-	-	-	-	-	-	-
X6CrNiTi18-10 (1.4541)	non aggressive media	40	40,0	39,6	37,3	35,4	33,7	31,8	30,6	29,7	29,0	28,7	28,3	28,0	27,8	27,5	27,2	27,0	-	-	-
GX5CrNi19-10 (1.4308)		40	40,0	35,2	30,5	27,1	23,8	22,4	20,9	19,5	18,1	16,7	15,2	-	-	-	-	-	-	-	-
X2CrNiMo17-12-2 (1.4404)	Aggressive media	40	40,0	40,0	39,1	37,1	36,7	-	-	-	-	-	-	-	-	-	-	-	-	-	-
GX5CrNiMo19-11-2 (1.4408)		40	40,0	32,4	29,1	25,7	23,8	-	-	-	-	-	-	-	-	-	-	-	-	-	-
X2CrNiMo17-12-2 (1.4404)	Non Aggressive media	40	40,0	40,0	39,1	37,1	36,7	34,5	33,1	32,1	31,3	30,7	30,5	30,4	30,3	30,3	30,3	30,3	30,2	-	-
GX5CrNiMo19-11-2 (1.4408)		40	40,0	32,4	29,1	25,7	23,8	21,9	20,9	20,0	19,4	19,2	19,1	-	-	-	-	-	-	-	-

Permissible working pressure directed under the disc when the valve is closed.

DN [MM]	125	150	200	250
P _{max} [bar]	33	21	14	10

MOUNTING AND OPERATING:

The valve can only be mounted and operated by skilled, properly trained and qualified personnel. Incorrect assembly or operation of the valve may have substantial impact on the entire system such as fluid leakage, reduction in system's function etc.

Before a valve is installed the pipeline must be clean from any mechanical impurities. The compatibility of critical parameters of the flow must be checked with the parameters of the valve. Stop globe valve can be mounted to a pipe-line in any position. The direction of flow should only comply with the arrow marked on the body. The valve should be operated strictly with its assign. In order to provide valve's reliability the following suggestions must be observed:

- medium flowing through the valve is supposed to be clean out of any mechanical impurities;
- the valve must be protected from any mechanical damages during its work;
- nominal parameters marked on the valve must be observed.