

SCREW-DOWN-NON-RETURN VALVE TYPE 479

CHARACTERISTIC:

Diameter	-	15 -200 mm;
Pressure	-	100 bar ;
Temperature	-	up to 560°C (with PTFE sealing up to ≤ 200°C);
Medium	-	water, steam and other non-toxic, non aggressive media and engine fuel, sea water.

VERSIONS:

type / ends / body material / disc and disc ring / others

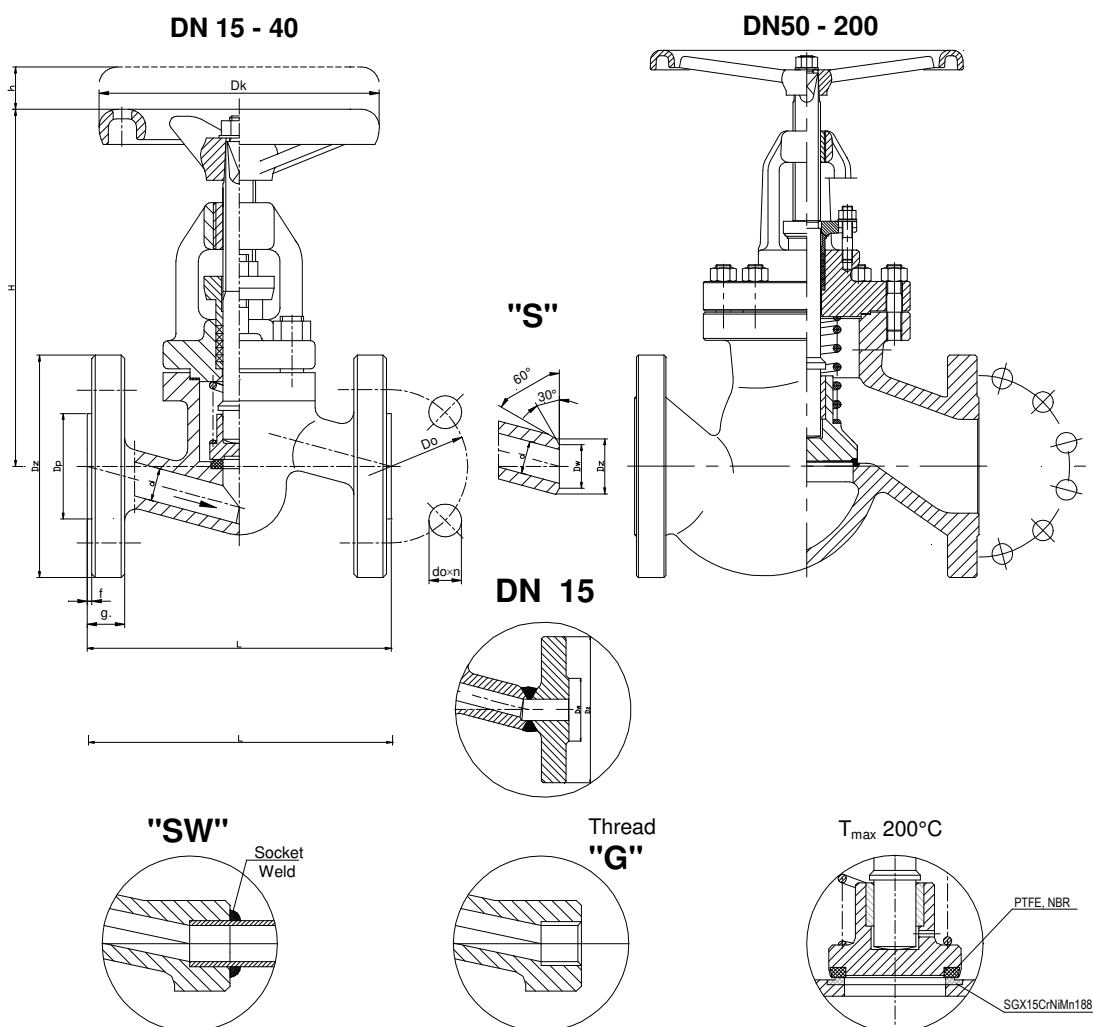
Example: 479 / --- / --- / --- / ---

Example: 479 / S / U / P / ---

Ends	Sign	Body material	Sign	Disc and disc ring	Sign	Others	Sign
Standard - flanged	---	(P250GH) C 22.8	---	Standard	---		---
Butt weld ends	S	or GP240GH		PTFE ring	P		
Socket weld	SW	16Mo3 or G20Mo5	U	NBR ring	N		
Threaded	G	13CrMo4-5 or G17CrMo5-5	A	STELLIT ring	L		

APPLICATION:

The valves are designed to keep pipeline safe from returning the medium. Screw-down-non-return valve can be used as a stop globe valve to open and stop the flow. The valve is not supposed to be used as a regulating device.



FABRYKA ARMATURY PRZEMYSŁOWEJ

WAKMET Sp. z o.o.

Bodzanów 75 48-340 GŁUCHOŁĄZY
tel.+48 77 439-40-20, fax +48 77 439-18-72
wakmet@wakmet.com.pl www.wakmet.com.pl

MATERIALS:

Versions	Standard	U	A	Standard	U	A
Parts	T _{MAX} 450°C	T _{MAX} 530°C	T _{MAX} 560°C	T _{MAX} 450°C	T _{MAX} 500°C	T _{MAX} 550°C
	DN 15 - 40			DN 50 - 200		
Body, bonnet	(P250GH) C22.8 (1.0460)	16Mo3 (1.5415)	13CrMo4-5 (1.7335)	GP240GH (1.0619)	G20Mo5 (1.5419)	G17CrMo5-5 (1.7357)
Seat ring DN15-25	X17CrNi16-2 (1.4057)					
Seat ring	G18 8 Mn (1.4370) or Stellite 6					
Disc	X30Cr13 (1.4028) , X17CrNi16-2 (1.4057) , P250GH (1.0460) , 13CrMo4-5 (1.7335)					
Disc ring	G18 8 Mn (1.4370) or Stellite 6, or PTFE , NBR					
Stem	X17CrNi16-2 (1.4057), X39CrMo17-1 (1.4122), BT9					
Packing rings, gasket	Grafit					
Wheel	Cast iron					

Special materials on request; modifications reserved.

DIMENSIONS:

Standard - flanged														With butt weld ends			
DN	d	Dz	Dp	Do	do	n	L	g.	f	H	h	Dk	Weight	Dz	Dw	L	Weight
15	14	105	45	75	14	4	210	20	2	160	13	120	5,40	22	17	160	3,00
20	19	130	58	90	18	4	230	22	2	160	13	160	9,80	28	21,5	160	3,00
25	23	140	68	100	18	4	230	24	2	160	13	160	10,80	35	28,5	160	3,00
32	30	155	78	110	22	4	260	24	2	210	16	200	15,00	44	36	230	9,30
40	38	170	88	125	22	4	260	28	3	210	18	200	15,70	50	43	230	9,50
50	45	195	102	145	26	4	300	28	3	250	22	250	30,70	62	54	300	19,90
65	62	220	122	170	26	8	340	30	3	290	30	280	46,00	77	69	340	30,90
80	73	230	138	180	26	8	380	32	3	300	40	360	62,00	91	81	380	48,70
100	94	265	162	210	30	8	430	36	3	500	55	360	121,50	117	104	430	95,10
125	120	315	188	250	33	8	500	40	3	600	65	400	168,00	144	127	500	137,90
150	144	355	218	290	33	12	550	44	3	700	70	500	251,00	172	154	550	201,10
200	195	430	285	360	36	12	650	52	3	900	100	600	295,00	223	199,5	650	218,00

Dimensions in mm; modifications reserved.

TECHNICAL DATA:

Body material	PN	Maximal working pressure at working temperature																	
		20°C	100°C	150°C	200°C	250°C	300°C	350°C	400°C	450°C	480°C	500°C	510°C	520°C	530°C	540°C	550°C	560°C	
(P250GH)C 22.8 (1.0460)	100	100,0	92,8	88,0	83,3	76,1	69,0	64,2	59,5	32,8	-	-	-	-	-	-	-	-	
16Mo3 (1.5415)	100	100,0	100,0	100,0	100,0	97,6	85,7	80,9	76,1	73,8	56,0	44,2	36,1	28,0	22,3	-	-	-	
13CrMo4-5 (1.7335)	100	100,0	100,0	100,0	100,0	100,0	99,5	95,2	90,4	85,7	73,4	65,2	54,9	44,7	37,1	29,0	23,3	19,0	
GP240GH (1.0619)	100	100,0	78,9	72,4	65,8	60,1	54,5	50,8	48,9	31,2	-	-	-	-	-	-	-	-	
G20Mo5 (1.5419)	100	100,0	82,9	77,1	71,4	66,7	62,0	58,3	56,4	54,5	40,9	31,9	-	-	-	-	-	-	
G17CrMo5-5 (1.7357)	100	100,0	100,0	100,0	100,0	100,0	100,0	100,0	95,2	69,1	51,8	38,6	34,2	29,8	25,4	21,1	16,7	-	

Permissible working pressure directed under the disc when the valve is closed.

DN [mm]	65	80	100	125	150	200
P _{max} [bar]	100	70	44	33	21	14

MOUNTING AND OPERATING:

The valve can only be mounted and operated by skilled, properly trained and qualified personnel. Incorrect assembly or operation of the valve may have substantial impact on the entire system such as fluid leakage, reduction in system's function etc.

Before a valve is installed the pipeline must be clean from any mechanical impurities. The compatibility of critical parameters of the flow must be checked with the parameters of the valve. Stop globe valve can be mounted to a pipe-line in any position. The direction of flow should only comply with the arrow marked on the body. The valve should be operated strictly with its assign. In order to provide valve's reliability the following suggestions must be observed:

- medium flowing through the valve is supposed to be clean out of any mechanical impurities;
- the valve must be protected from any mechanical damages during its work;
- nominal parameters marked on the valve must be observed.